

G2 misuratori

water meters



Portable testing bench to check water meters installed in plumbing networks

❑ For cold water, temperature class T30

Approvals:

- water meter: CE MID MI001
- electronic counter: UL508, CSA C22.2 No. 14, Lloyd

❑ Water meter master Mod. PFML/20 for cold water, temperature class T30, Q_3 4,0 m³/h, measuring range R160, fully equipped with reed pulse emitter, with pulse value of 1 pulse / 1 litre

❑ Electronic counter with an 8 digit display, with external and manual resetting for litres reading, self powered by a 7 years long life lithium pad battery

❑ Upper housing made of shockproof lexan, sides and bottom made of metal with handle to carry

❑ Threaded male fittings 3/4" GAS

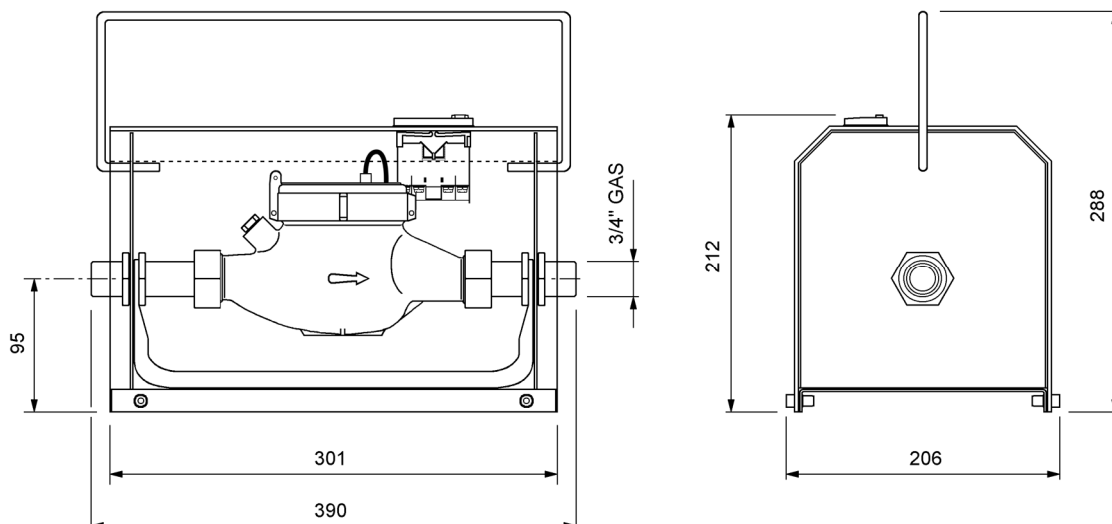
❑ Clear plastic cover allows direct master meter reading of m³ and its submultiples



Technical data

Permanent Flow Rate Q_3 (m ³ /h)	4,0
Max. flow rate for short period Q_4 (m ³ /h)	5,0
Transitional flow rate Q_2 R160 [MPE $\pm 2\%$] (l/h)	40
Min. flow rate Q_1 R160 [MPE $\pm 5\%$] (l/h)	25
Starting flow R160 (l/h)	5
Accuracy class	2
Environmental class	C
Pressure loss class ΔP (bar)	0,63
Max allowed working pressure MAP (bar)	16
Master meter dial register from (m ³)	0,0001
Master meter dial register to (m ³)	99 999
Electronic counter dial register from (l)	1
Electronic counter dial register to (l)	99 999 999
Weight without packing (kg)	5,500

N.B. – THE CARRYING HANDLE CAN BE RECLINED



The company's policy is one of continuous product improvement and the right is reserved to modify the specifications herein contained without notice – 04/15