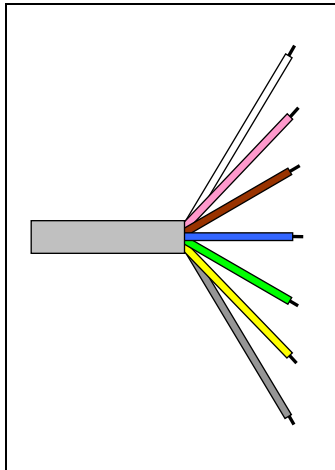


### INDUCTIVE SENSOR MODEL G2-IPS for AFMS/BFM/QDFM water meters (compatible models) BFU/PFU/QDFU (compatible models)



WHITE	C1
PINK	C2
BROWN	C3
BLUE	⏏
VERDE	RX
GREEN	⏏
GREY	TX

Before installing the sensor on the meter, make sure to remove any metal label from the back of the device.

To switch on the sensor, connect the blue and yellow wires together.

The system has three operating modes

▪ **Mode 1 ( standard basic )**

- **Contact C1:** Compensated count pulses (the system takes account of the direction of flow and generates pulses only when the difference between forward and reverse flow is positive);
- **Contact C2:** Instantaneous flow direction (Open = forward; Closed = reverse);
- **Contact C3:** Tamper-proof / Alarm (under normal operating conditions, it is normally closed; in the event of a fault or tampering, it opens).

▪ **Mode 2**

- **Contact C1:** Uncompensated counting pulses (the system does NOT take the direction of flow into account, but always generates pulses, whether the flow is forward or reverse);
- **Contact C2:** Instantaneous flow direction (Open = forward; Closed = reverse);

▪ **Contact C3:** Tamper-proof / Alarm (under normal operating conditions, it is normally closed; in the event of a fault or tampering, it opens).

▪ **Mode 3**

- **Contact C1:** Forward flow count pulses;
- **Contact C2:** Backflow counting pulses;
- **Contact C3:** Tamper-proof / Alarm (under normal operating conditions, it is normally closed; in the event of a fault or tampering, it opens).

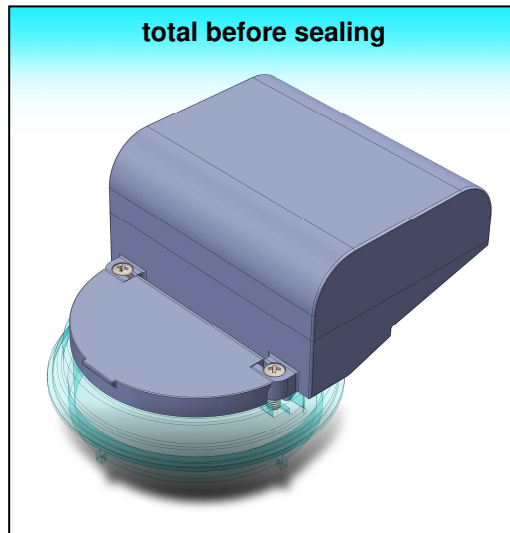
**The operating mode can be selected as required.**

In addition to the three contacts used for standard operation, the G2-IPS board is equipped with a 3.3V TTL-level RS232 connection. This connection is normally used during production, but can be used by the user on request to obtain more detailed information about the system and to configure certain operating parameters.

**RX:** GREEN thread  
**GND:** YELLOW wire  
**TX:** GREY thread

## TECHNICAL SPECIFICATIONS common to all versions of the G2-IPS

Type	Microprocessor-based device
Power supply	3.6 V lithium battery
Maximum voltage at the contacts	24 V
Internal contact resistance	120 Ohm
Certifications	CE, EMC ( electromagnetic compatibility )
Maximum pulse frequency	10 Hz
Operating environmental conditions	-10 °C ... +55 °C
Storage temperature	-20 °C ... +60 °C
Degree of protection	IP68
Pulse characteristics (C1)	Pulse duration: 50 ms



## LIST OF COMPONENTS

1. G2-IPS sensor
2. Dial cover
3. Fixing screws (n. 2)
4. Seal labels (n. 2)

