

# G2 misuratori

## water and heat meters



### WELC MID from DN 50 to DN 300

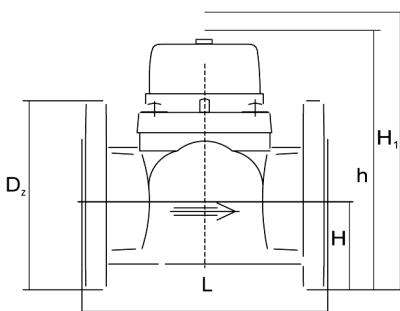
- ❑ Woltmann water meter, helical vane, WELC MID suitable for consumption measurement on volume basis for hot water up to 130 °C
- ❑ MID approval MID MI004 EN1434 Directive 2004/22/EC
- ❑ Temperature range  $\theta_{min}$  0,1 °C  $\theta_{max}$  130 °C
- ❑ Reed sensor (clean contact) for pulsed output fitted on water meter body, to enable the connection with separated counters for thermal energy
- ❑ Reed features: cable length: mt. 2 / Max Power supply 10W / Max. resistance 10 $\Omega$  close - 150M $\Omega$  open
- ❑ Standard pulse resolution K=100 for sizes from Dn50 to Dn125 / K=1000 from Dn150 to Dn300 (K=250 /K=2500 on request)
- ❑ Measuring insert easy to remove for inspection, maintenance or replacement
- ❑ 360° rotating dry dial counter, sealed by a metallic protection cover
- ❑ Horizontal, vertical and inclined installation
- ❑ Max allowed pressure: MAP 1,6 MPa (16bar)
- ❑ Environmental class: C
- ❑ Accuracy class: 3
- ❑ Protection grade: IP66
- ❑ Flanges according to: EN1092 PN16



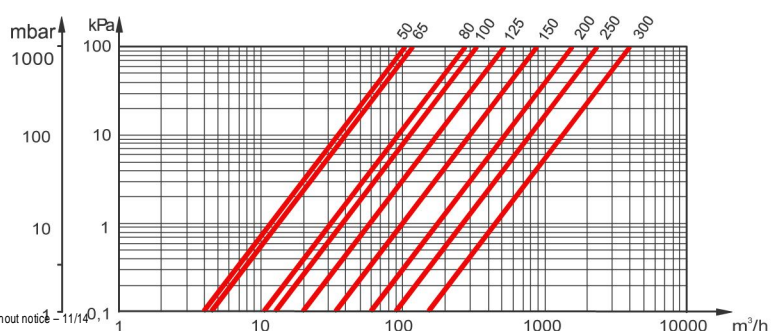
#### Technical data

	50	65	80	100	125	150	200	250	300
Max flow rate for short period [m <sup>3</sup> /h]	30	50	80	120	200	300	500	800	1200
Permanent flow rate Q <sub>n</sub> [m <sup>3</sup> /h]	15	25	40	60	100	150	250	400	600
Minimum flow rate Q <sub>i</sub> [m <sup>3</sup> /h]	0,6	1,0	1,6	2,4	4,0	6,0	10	40	60
Max. working pressure [bar]	16	16	16	16	16	16	16	16	16
Starting flow rate [m <sup>3</sup> /h]	0,25	0,3	0,35	0,6	1,1	2	4	8	15
Maximum reading [m <sup>3</sup> ]	10 <sup>6</sup>	10 <sup>6</sup>	10 <sup>6</sup>	10 <sup>6</sup>	10 <sup>6</sup>	10 <sup>7</sup>	10 <sup>7</sup>	10 <sup>7</sup>	10 <sup>7</sup>
Scale interval [dm <sup>3</sup> ]	0,5	0,5	0,5	0,5	0,5	5	5	5	50
Length L [mm]	200	200	225 200*	250	250	300	350	450	500
Max. height when removing mechanism H <sub>1</sub> [mm]	287	297	339	349	377	582	607	652	722
Max. height h [mm]	187	197	219	229	257	357	382	427	497
Distance pipe-ground base H [mm]	72	83	95	105	120	135	160	193	230
Flanges outer diameter D <sub>2</sub> [mm]	165	185	200	220	250	285	340	400	460
Weight [kg]	9,9	10,6	13,3	15,6	18,1	40,1	51,1	75,1	103,1

\* on request



Head loss diagram



The company's policy is one of continuous product improvement and the right is reserved to modify the specifications herein contained without notice - 11/14/01