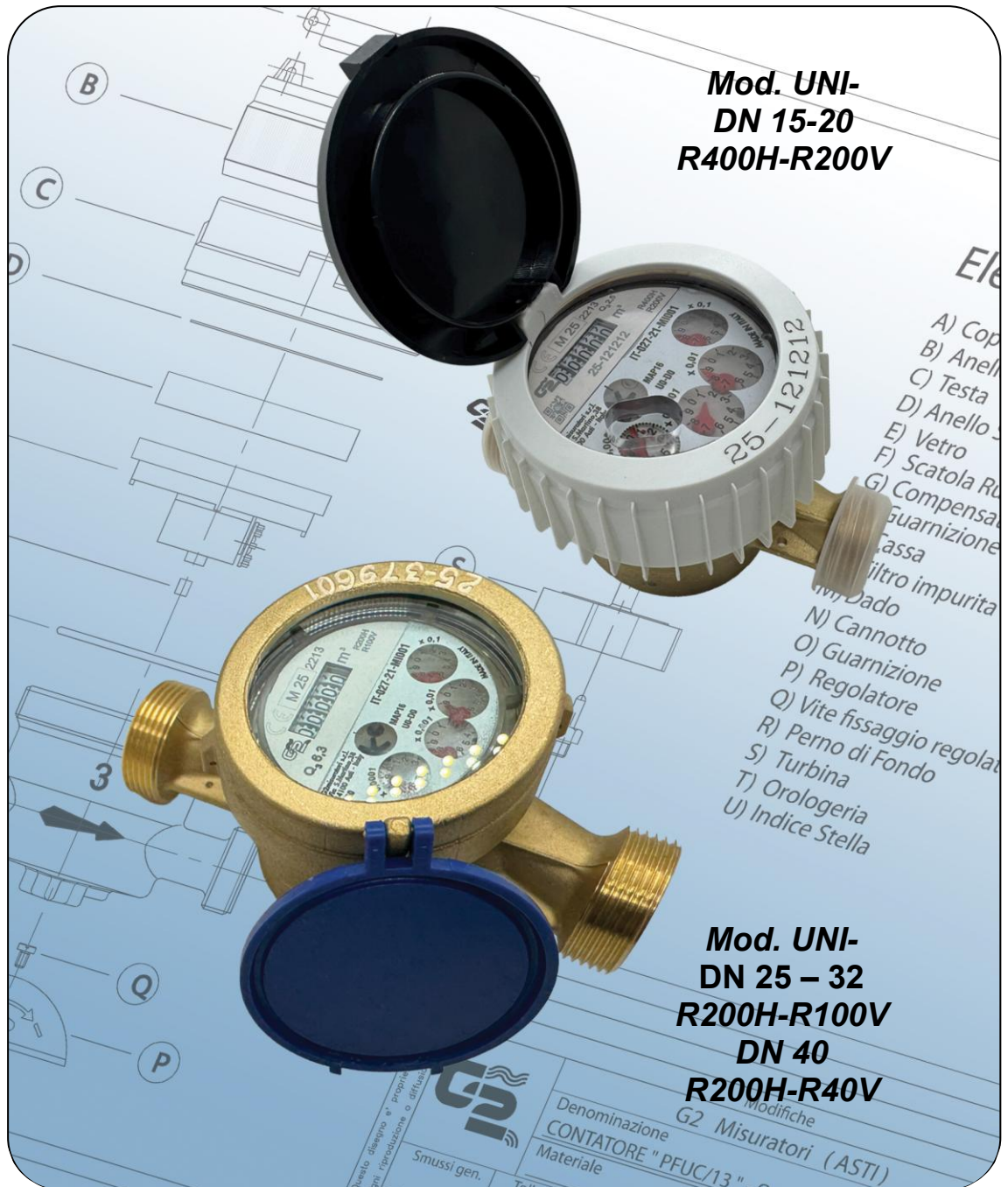


G2 misuratori

THE VALUE OF METERING



Italy Made in ITALY



UNI

- ❑ Single jet meter, direct reading, temperature classes T30 and T50
- ❑ Mod. UNI-R400H-R200V, DN 15 - 20, protected rollers with FULLY PROTECTED DRY dial, with mechanical transmission, measuring range R400H-R200V, for turbid water
- ❑ Mod. UNI-R200H-R100V, DN 25 - 32, protected rollers with FULLY PROTECTED DRY dial, with mechanical transmission, measuring range R200H-R100V, for turbid water
- ❑ Mod. UNI-R200H-R40V- DN 40, with protected rollers and FULLY PROTECTED DRY dial, with mechanical transmission, measuring range R200H-R40V, for turbid water
- ❑ U0-D0: no straight pipe sections upstream and downstream of the meter are required
- ❑ All models can be fitted with a **serial number and barcode** indelibly engraved on the dial
- ❑ All models are **MID**-approved according to the current directive and in compliance with **EN 14154** and **OIML R49**
- ❑ All models are certified for use with potable water according to Ministerial Decree **174 of 6 April 2004**

fully protected dry dial model
temperature classes T30 and T50

UNI-PI-R400H-R200V DN 15/20

UNI-PI-R200H-R100V DN 25/32

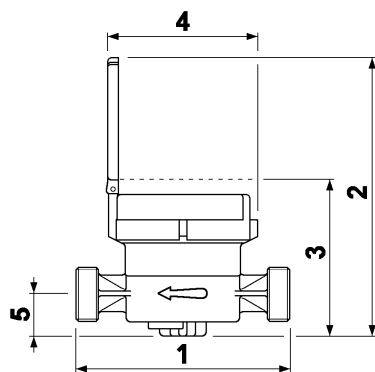
UNI-PI-R200H-R40V DN 40



Model UNI-PI with non-magnetic K=1 arrangement complete with G2-IPS inductive sensor

Technical data - DN in mm-inch 15-1/2 20-3/4 25-1 32-1.1/4 40-1.1/2

Permanent flow rate Q3 (m³/h)	2,5	4,0	6,3	10	16
Overload flow rate Q4 (m³/h)	3,125	5,0	7,875	12,5	20
Transitional flow Q2 with measuring range R400H [MPE ±2%] (l/h)	10	16	-	-	-
Minimum flow rate Q1 with measuring range R400H[MPE ±5%] (l/h)	6,3	10	-	-	-
Transitional flow Q2 with measuring range R200V [MPE ±2%] (l/h)	20	32			
Minimum flow rate Q1 with measuring range R200V [MPE ±5%] (l/h)	12,5	20			
Transitional flow Q2 with measuring range R200H [MPE ±2%] (l/h)			50,4	80	128
Minimum flow rate Q1 with measuring range R200H [MPE ±5%] (l/h)			31,5	50	80
Transitional flow Q2 with measuring range R100V [MPE ±2%] (l/h)	-	-	100,8	160	-
Minimum flow rate Q1 with measuring range R100V [MPE ±5%] (l/h)	-	-	63	100	-
Transitional flow Q2 with measuring range R40V [MPE ±2%] (l/h)	-	-	-	-	640
Minimum flow rate Q1 with measuring range R40V [MPE ±5%] (l/h)	-	-	-	-	400
Starting flow (l/h)	1,5	2	5	7	15
Accuracy class	2				
Environmental class	C (-25°C...+55°C)				
Pressure loss class ΔP (bar)	0,63				
Maximum permissible operating pressure MA (bar)	16				
Min/Max dial display range (m³)	0,0001 / 100,000				
1) Length of meter without fittings (mm)	110-115	130	160	160	200
Meter length including fittings (mm)	190-195	228	260	280	340
2) Maximum height with open lid (mm)	150	150	185	185	200
3) Maximum height with closed lid (mm)	83	83	103	103	120
4) Maximum overall diameter (mm)	80	80	100	100	110
5) Distance between pipe and meter support surface (mm)	24	24	34	34	42
Weight with fittings (kg)	0,850	1,100	1,750	2,000	3,460
Weight without fittings (kg)	0,690	0,860	1,280	1,330	2,420



The following options are available on request:

- Models fitted or complete with reed type emitter
- Models fitted or complete with static emitter
- Models complete with radio module with 868Mhz frequency and combined LoRaWAN and W-Mbus OMS protocols with automatic switch, NB-Iot with protocol MQTT*

The Company reserves the right to make changes to technical data and product illustrations – 04/26

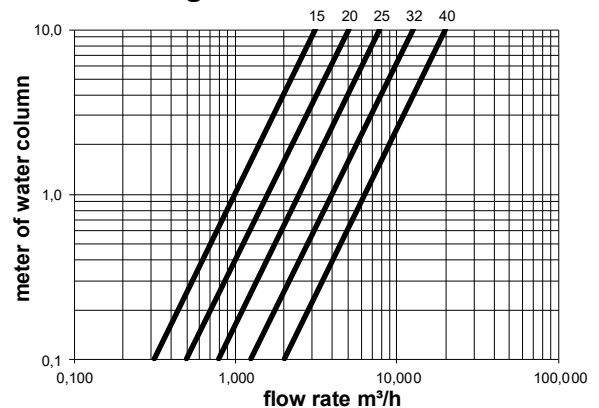


G2 misuratori S.r.l. -
Via San Martino, 38 – 14100 ASTI (AT) – ITALY
Tel. +39. 0141.721787– Fax +39.0141.702280
E-mail: info@g2misuratori.it
[Http://www.g2misuratori.it](http://www.g2misuratori.it)

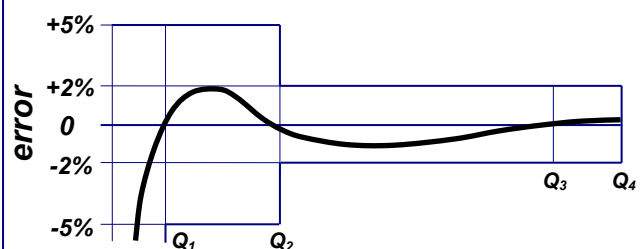


Filiale Centro-Sud
Via Fontanelle, 3 – 00020 RIOFREDDO
Città Metropolitana di Roma Capitale – ITALY
Tel. e Fax +39.0774.920216
E-mail: centrosud@g2misuratori.it

Head loss diagram



Typical accuracy curve



ISO 9001 - ISO 14001 - ISO 45001
UNI/PdR 125:2022

