



 Made in ITALY



MULTI

- ❑ Multi-jet turbine straight reading meter, temperature classes T30 and T50
- ❑ Mod. QDFM-R200H,R63V, LIQUID FILLED SEALED counter, FULLY PROTECTED DRY dial, mechanical transmission, measuring range R200H,R63V, for turbid water
- ❑ U0-D0: straight pipe not required upstream or downstream the meter
- ❑ All models can be customised with a **serial number and its relevant barcode indelibly engraved on the dial**
- ❑ All models are **MID** approved according to the current European Directive (module B+D) and in compliance with the norms **EN 14154**, **ISO 4064** and **OIML R49**, reaching an **R (Q₃/Q₁) ≤ 315H/63V**
- ❑ All models are certified for use with water for human consumption, according to the **D.M. 174** of 6/4/ 2004 in compliance with European Directive 98/83 CE (Drinking Water Directive)
- ❑ All models, on request, can be supplied pulsed output or preset for remote reading

MULTY



Liquid filled sealed counter,
fully protected dry dial

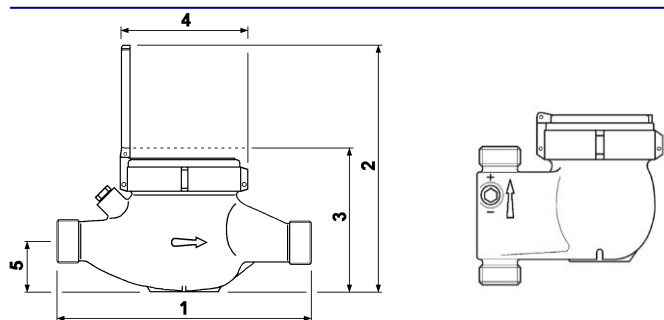
temperature classes T30 & T50

QDFM
DN 15 / 20 / 25 / 32 / 40 / 50
R from 40H to 315H
R from 40V to 63V
to be specified when ordering



Model preset with non-magnetic index for IPS inductive sensor K=1

Technical data- DN in mm-inches	15-1/2	20-3/4	25-1	32-1.1/4	40-1.1/2	50-2
Permanent Flow Rate Q_3 (m ³ /h)	2,5	4,0	6,3	10	16	25
Max. flow rate for short period Q_4 (m ³ /h)	3,125	5,0	7,875	12,5	20	31,25
Transitional flow rate Q_2 at measuring range R200H [MPE $\pm 2\%$] (l/h)	20	32	50,40	80	128	200
Min. flow rate Q_1 with measuring range R200H [MPE $\pm 5\%$] (l/h)	12,50	20	31,50	50	80	125
Starting flow at measuring range R200H (l/h)	3	5	8	8	15	18
Accuracy class	2					
Environmental class	C(-25°C +55°C)					
Pressure loss class ΔP	0,63					
Max allowed working pressure MAP (bar)	16					
Dial register from /to (m ³)	0,0001 /100.000			0,0001/100.000-or-1.000.000		
1) Length without couplings (mm)	110-115-130145-165-170-190	130-160-165-190	160-220-260	160-220-260	300	300
Length with couplings (mm)	190-195-210-225-245-250-270	260-265-290	320-360	320-360	440	460
2) Height with open lid (mm)	185	185	200	200	210	220
3) Height with closet lid (mm)	105	105	120	120	130	140
4) Max. diameter (mm)	96	96	100	100	136	136
5) Height of tube (mm)	35	35	40	40	60	70
Weight with couplings (kg)	1,650	1,800	3,200	3,500	6,100	9,700
Weight without couplings (kg)	1,500	1,550	2,750	2,800	5,100	7,400



The following options are available upon request:

- Mod. QDFM DN 15 high pressure version (40 bar)
- MAP 25 bar MID approved model
- Curved plexiglass glass, to ease distance reading
- Non- return valve fitted on the outlet nipple
- Vertical riser body for vertical installation
- Models preset or fitted with single or double reed for pulse readout system
- Models preset or fitted with static sensor
- Model fitted with radio module, frequency 868Mhz and combined LoRaWAN and W-Mbus OMS protocols with automatic switch, NB-Iot with protocol MQTT*

Continuous development of our products may necessitate changes in details without prior notice - 04/26

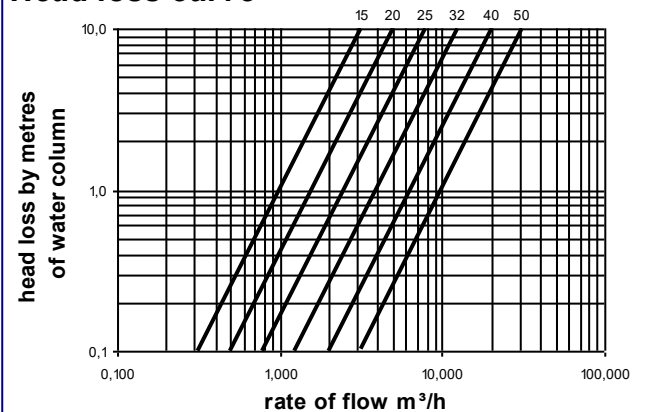


G2 misuratori S.r.l. -
Via San Martino, 38 - 14100 ASTI (AT) - ITALY
Tel. +39.0141.721787 - Fax +39.0141.702280
E-mail: info@g2misuratori.it
Http://www.g2misuratori.it

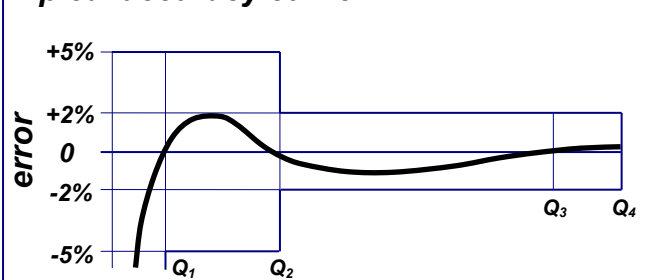


Branch office for Italy Centre Sud Area
Via Fontanelle, 3 - 00020 RIOFREDDO (RM) - ITALY
Tel. e Fax +39.0774.920216
E-mail: centrosud@g2misuratori.it

Head loss curve



Typical accuracy curve



ISO 9001 - ISO 14001 - ISO 45001
UNI/PdR 125:2022

