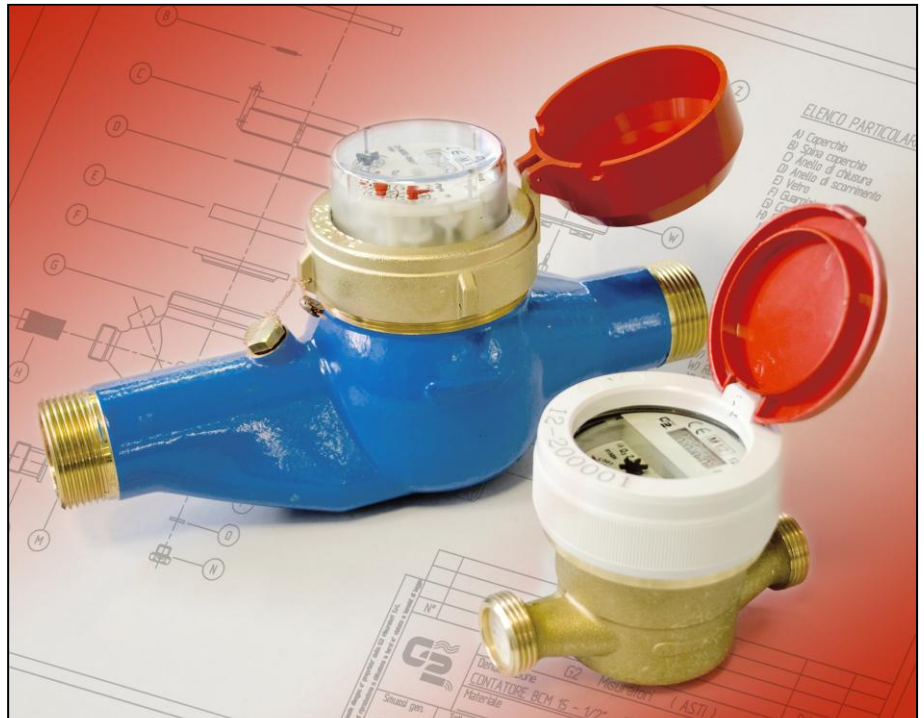


MID APPROVED WATER METERS FOR T70-T90 HOT WATER

- ❑ **Model ACM-R100H40V**
DN. 15-20-25-32-40-50
multi jet, **DRY** dial
- ❑ **Model BCU-R100H80V**
DN. 15-20-
R100H40V
DN. 25-32-40
single jet, **WET** dial
- ❑ **Model ACU-**
R100H80V
DN. 15-20-
R100H40V
DN. 25-32-40
single jet, **DRY** dial
- ❑ **Model PCU-**
R100H80V
DN. 15-20
single jet, **LIQUID**
FILLED counter type



MID-MI001
T70-T90



- ❑ Multi and single jet meters, direct reading, temperature classes T70 and T90, accuracy class: 2
- ❑ U0-D0: straight pipe not required upstream or downstream the meter
- ❑ All models can be fitted with a **serial number** and **barcode indelibly** engraved on the dial
- ❑ All models are **MID** approved according to current European Directive (module B+D) and in compliance with the norms **EN 14154** and **OIML R49**, reaching an **R (Q₃/Q₁) ≤ 160**
- ❑ All models are certified for use with water for human consumption, according to the **D.M 174** of 6 april 2004 in compliance with European Directive 98/83 CE (Drinking Water Directive)

Acqua Calda 70/90



Technical data– DN in mm-pollici: 15-1/2 20-3/4 25-1 32-1.1/4 40-1.1/2 50-2

Models:

ACM-R100H40V

DN. 15-20-25-32-40-50
Multi jet, dry dial

BCU-R100H80V

DN. 15-20

R100H40V

DN. 25-32-40
Single jet, wet dial

PCU-R100H80V DN. 15-20

Single jet, liquid filled counter type

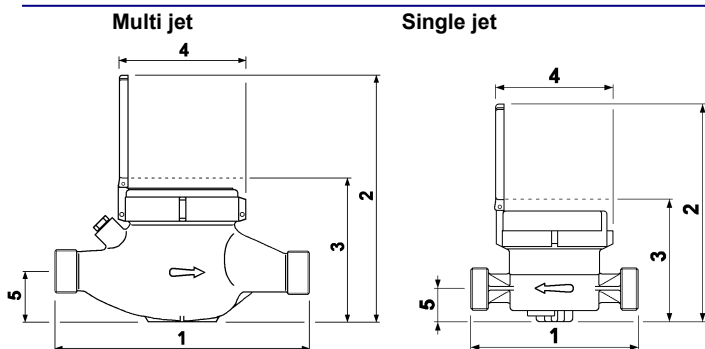
ACU-R100H80V

DN. 15-20

R100H40V

DN. 25-32-40
single jet, dry dial

	15-1/2	20-3/4	25-1	32-1.1/4	40-1.1/2	50-2
Continuous flow rate Q_3 (m ³ /h)	2,5	4,0	6,3	10	16	25
Max flow rate for short period Q_4 (m ³ /h)	3,125	5,0	7,875	12,5	20	31,250
Transitional flow rate. Q_2 R100 [MPE ±3%] (l/h)	40	64	100,8	160	256	400
Min. flow rate Q_1 R100 [MPE ±5%] (l/h)	25	40	63	100	160	250
Transitional flow rate Q_2 R80 [MPE ±3%] (l/h)	50	80	126	200	320	500
Min flow rate Q_1 R80 [MPE ±5%] (l/h)	31,25	50	78,75	125	200	312,5
Transitional flow rate. Q_2 R40 [MPE ±3%] (l/h)	100	160	252	400	640	1000
Min. flow rate Q_1 R40 [MPE ±5%] (l/h)	62,5	100	157,5	250	400	625
Head loss ΔP (bar)	0,63	0,63	0,63	0,63	0,63	0,63
Max working pressure admitted MAP (bar)	16	16	16	16	16	16
Dial from/ to (m ³)	0,0001/100000	0,0001/100000	0,0001/100000	0,0001/100000	0,0001 / 100000 o 1000000	
1) Length without couplings -multi jet (mm)	110-145 165-170	160-165 190	220-260	220-260	300	300
Length with couplings -multi jet (mm)	190-225 245-250	260-265 290	320-360	320-360	440	460
2) H with open lid -multi jet (mm)	185	185	200	200	210	220
3) H with closed lid-multi jet (mm)	105	105	120	120	130	140
4) \varnothing max diameter-multi jet (mm)	96	96	100	100	136	136
5) H pipe intaxis -multi jet (mm)	35	35	40	40	60	70
Weight with couplings- multi jet (kg)	1,650	1,800	3,200	3,500	6,100	9,700
Weight without couplings- multi jet (kg)	1,500	1,550	2,750	2,800	5,100	7,400
1) Length without couplings -single jet (mm)	110-115	130	160	160	200	-
Length with couplings -single jet (mm)	190-195	228	260	280	340	-
2) H with open lid -single jet meter (mm)	150	150	185	185	200	-
3) H with closed lid-single jet meter (mm)	83	83	103	103	120	-
4) \varnothing max diameter-single jet meter (mm)	80	80	100	100	110	-
5) H pipe intaxis single jet meter (mm)	24	24	34	34	42	-
Weight with couplings- single jet (kg)	0,850	1,100	1,750	2,000	3,460	-
Weight without couplings- single jet (kg)	0,690	0,860	1,280	1,330	2,420	-

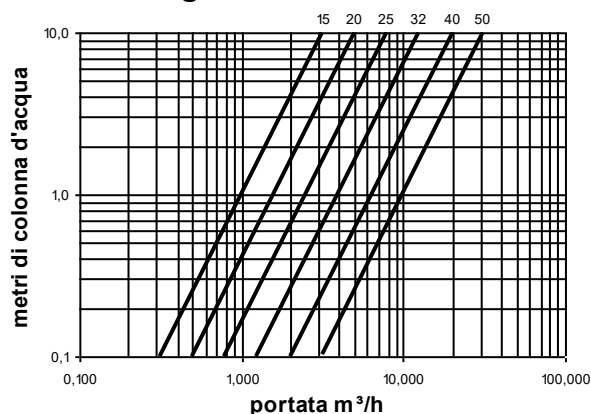


Available on request the following options:

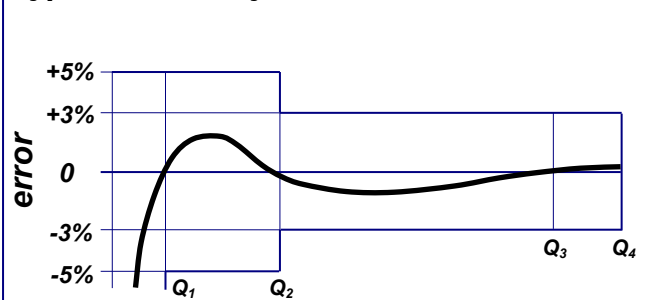
- Built-in non-return valve in the outlet pipe
- Vertical body suitable for multi jet meters
- Red painted body
- Models preset or fitted with reed for read out pulsed output
- Models preset or fitted with static sensor
- Models fitted with radio module, operating at 868Mhz and combined LoRaWAN and W-Mbus OMS protocols with automatic switch, NB-IoT with MQTT protocol.
- LoRaWAN protocol with 915Mhz frequency

The Company reserves the right to make changes to technical data and product illustrations - 04/26

Head loss diagram



Typical accuracy curve



G2 misuratori S.r.l. - contatori per acqua e calore
Via San Martino, 38 – 14100 ASTI (AT) – ITALY
Tel. +39.0141.721787 – Fax +39.0141.702280
E-mail: info@g2misuratori.it
[Http://www.g2misuratori.it](http://www.g2misuratori.it)



Filiale Centro-Sud
Via Fontanelle, 3 – 00020 RIOFREDDO
Citta Metropolitana di Roma Capitale – ITALY
Tel. e Fax +39.0774.920216
E-mail: centrosud@g2misuratori.it



ISO 9001 - ISO 14001 - ISO 45001
UNI/PdR 125:2022

