

G2 misuratori

THE VALUE OF METERING



Made in ITALY

SMART READING



Radio modules with 868 Mhz frequency, for Smart City applications, with the protocol indicated below.

Radio module Mod. G2-SC-SLW

LoRaWAN protocol for fixed network and LoRa for Walk-by/Drive-by

The device has up to 6 digital and 2 analogue inputs to read the status of the sensors of a Smart City such as the status of a parking space (free and occupied), the status of a waste bin (full and empty) or the status of a smart rack (free and full) and send the information via radio to the control unit where it will be recorded and processed.

The module also has two digital outputs that can be used to indicate the status of the sensors by means of LEDs outside the module.

These same LEDs can be controlled either automatically by the module or through a command from the control unit.

SMART READING

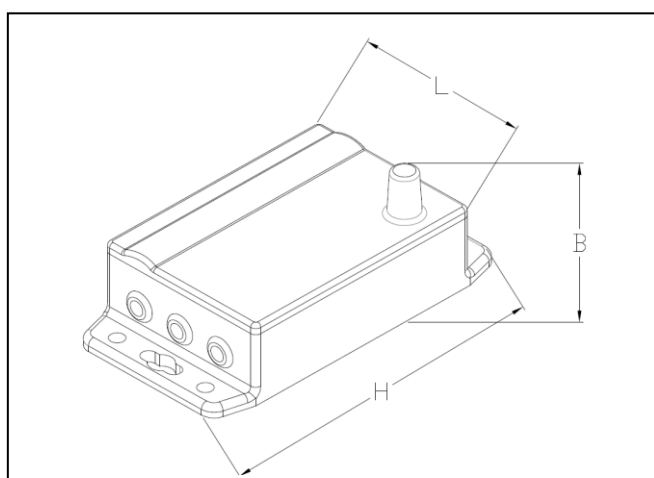


Technical specifications

Input detection	External digital sensor (max 6 not supplied)
Output	Up to 2 digital outputs
Type	Microprocessor device
Battery life	10 years *
Environmental operating conditions	+ 5 °C ... +55 °C -10 °C ... +55 °C (resistive)
Radio transmission activation	Via actuator on instrument body
Storage temperature	-20 °C ... +60 °C
Degree of protection	IP 67
Certification	CE, European Electromagnetic Compatibility Directive

LoRaWAN protocol specifications

	LoRaWAN Fixed Network
Network type	Freq. 868 Mhz LoRaWAN prot.
Transmitted data	Sensor output
Change configuration data	Possible from remote landline or radio terminal
Flexibility	Automatically switches between the 2 settings according to programming
Activation	OTAA-ABP
Transmission interval	Configurable in frequency
Transmission distance	Up to 14 km in optimal environmental conditions



Overall dimensions	
Width L (mm)	60
Thickness B (mm)	43
Length H (mm)	113

Indoor and outdoor installation

Data security via multi-level encryption

Modification of configuration data possible remotely from fixed network and/or via radio terminal

IP 67 module for indoors and IP 68 resined for outdoors

CE certified

Models available with or without connection cable

Digital input type N: with dry contact.

Open-Drain digital output driving up to 30V, 1A

3.6V battery power supply with 10 years' duration under specified conditions of use.

RED and GREEN LEDs for signalling module status (e.g. TX or RX)

* Note :

1- The battery is only intended to power the module, so all external sensors and actuators must be powered separately.

2- Battery life with LoRaWan protocol is guaranteed with a maximum of 3 daily transmissions with the module configured in Class A. To be able to interact in continuous mode with the module, it will be necessary to configure the module in Class C and supply it externally with mains voltage.

The Company reserves the right to make changes to technical data and product illustrations. – 10/20



G2 misuratori S.r.l. -
Via San Martino, 38 – 14100 ASTI (AT) – ITALY
Tel. +39. 0141.721787– Fax +39.0141.702280
E-mail: info@g2misuratori.it
[Http://www.g2misuratori.it](http://www.g2misuratori.it)



Filiale Centro-Sud
Via Fontanelle, 3 – 00020 RIOFREDDO (RM) – ITALY
Tel. e Fax +39.0774.920216
E-mail: centrosud@g2misuratori.it

**AZIENDA CON SISTEMA
DI GESTIONE QUALITÀ
CERTIFICATO DA DNV GL
= ISO 9001 =**

**AZIENDA CON SISTEMA
DI GESTIONE AMBIENTALE
CERTIFICATO DA DNV GL
= ISO 14001 =**