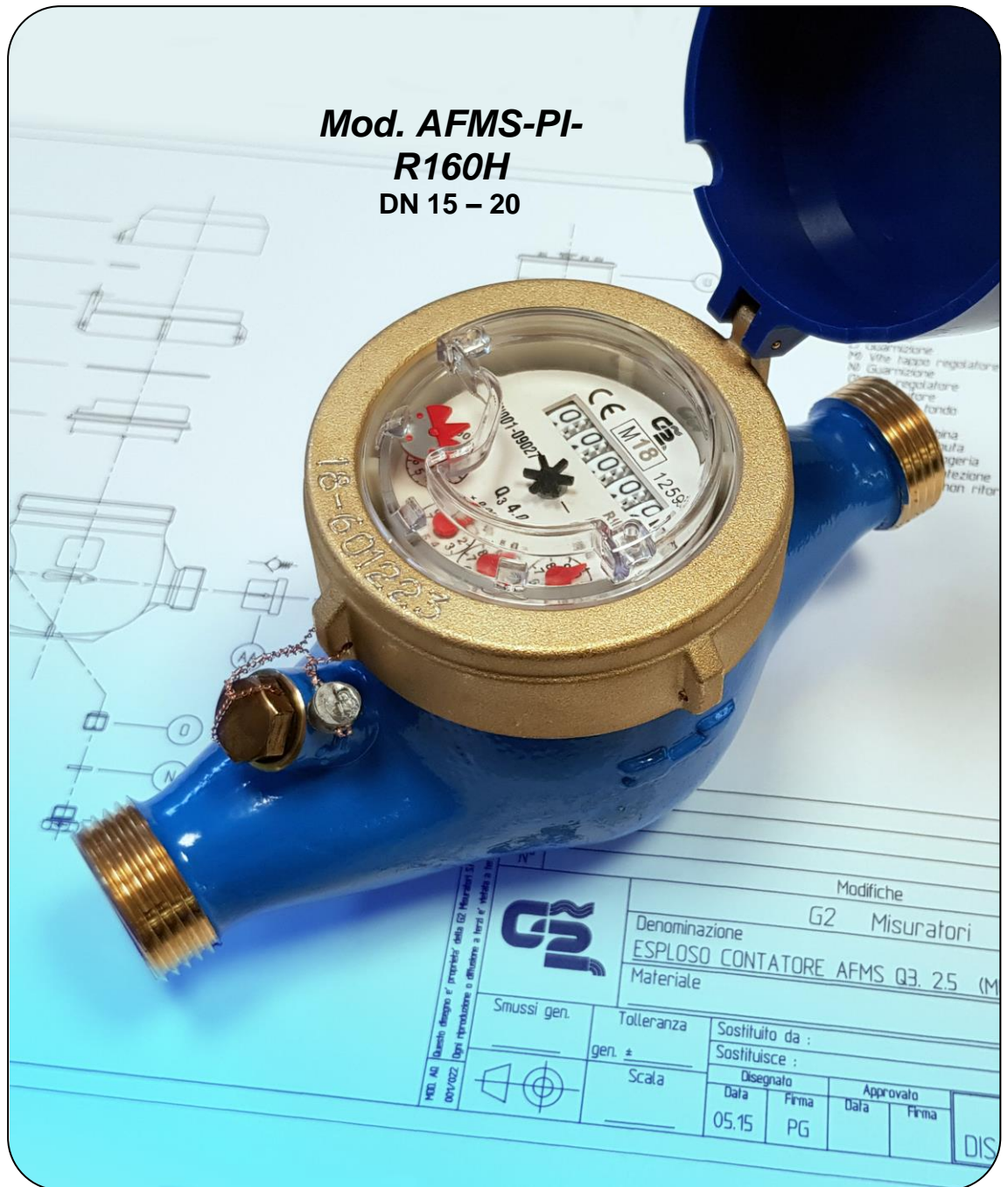


# G2 misuratori

THE VALUE OF METERING



Made in  
ITALY



MULTIPLY

- ❑ Mod. AFMS-PI-R160H, SUPER-DRY dial, measuring range R160H, environmental class C, for turbid and calcareous water, **preset K=1 for inductive sensor IPS**
- ❑ All models are **MID** approved according to the current European Directive (module B+D) and in compliance with the norms **EN 14154, ISO 4064** and **OIML R49**, reaching an **R (Q<sub>3</sub>/Q<sub>1</sub>) ≤200H**
- ❑ Multi-jet turbine straight reading meter, temperature classes T30 and T50
- ❑ U0-D0: straight pipe not required upstream or downstream the meter
- ❑ All models can be customised with a **serial number and its relevant barcode indelibly engraved on the dial**
- ❑ All models are certified for use with water for human consumption, according to the **D.M. 174** of 6/4/2004 in compliance with with European Directive 98/83 CE (Drinking Water Directive)
- ❑ All models, on request, can be supplied pulsed output **or preset for remote reading**

# MULTY



## Dry dial model

Temperature classes T30 & T50

AFMS-PI DN 15/20

R from R40H to R200H

R from R40V to R50V

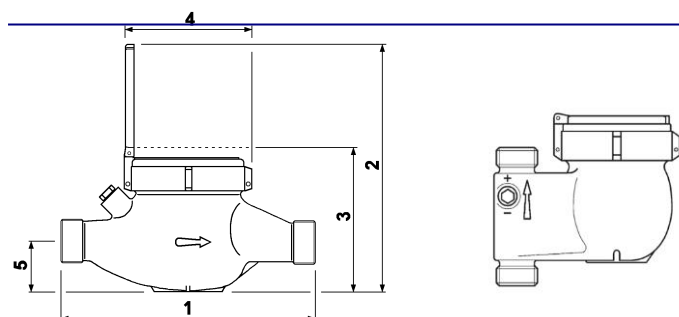
to be specified when ordering

## IPS inductive sensor



### Technical Data – DN in mm-pollici

	15-1/2	20-3/4
<b>Permanent Flow Rate Q<sub>3</sub> (m<sup>3</sup>/h)</b>	<b>2,5</b>	<b>4,0</b>
Max. flow rate for short period Q <sub>4</sub> (m <sup>3</sup> /h)	3,125	5,0
Transitional flow rate Q <sub>2</sub> at measuring range R160H [MPE ±2%] (l/h)	25	40
Min flow rate Q <sub>1</sub> with measuring range R160H [MPE ±5%] (l/h)	15,63	25
Starting flow at measuring range R 160H (l/h)	3	5
Accuracy class	2	2
Environmental Class	C(-25°C +55°C)	
Pressure loss class ΔP	0,63	0,63
Max allowed working pressure MAP (bar)	16	16
Dial register from/to (m <sup>3</sup> )	0,0001/100.000	0,0001/100.000
1) Length without couplings (mm)	110-115-130 145-165-170 190	130-160-165 190
Length with couplings (mm)	190-195-210 225-245-250 270	260-265 290
2) Height with open lid (mm)	195	195
3) Height with closet lid (mm)	115	115
4) Max. diameter (mm)	96	96
5) Height of tube (mm)	35	35
Weight with couplings (kg)	1,650	1,800
Weight without couplings (kg)	1,500	1,550



The following options are available upon request:

- Non- return valve fitted on the outlet nipple
- Models without presetting
- Models with mineral glass
- Vertical riser body for vertical installation
- Models preset or fitted with single or double reed for pulse readout system

Continuous development of our products may necessitate changes in details without prior notice– 10/19

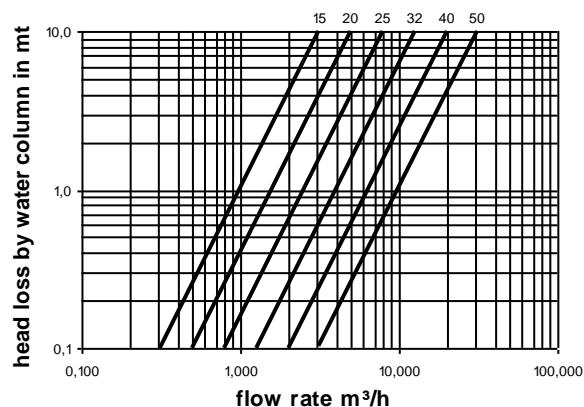


**G2 misuratori S.r.l. -**  
Via San Martino, 38 – 14100 ASTI (AT) – ITALY  
Tel. +39.0141.721787 – Fax +39.0141.702280  
E-mail: [info@g2misuratori.it](mailto:info@g2misuratori.it)  
[Http://www.g2misuratori.it](http://www.g2misuratori.it)

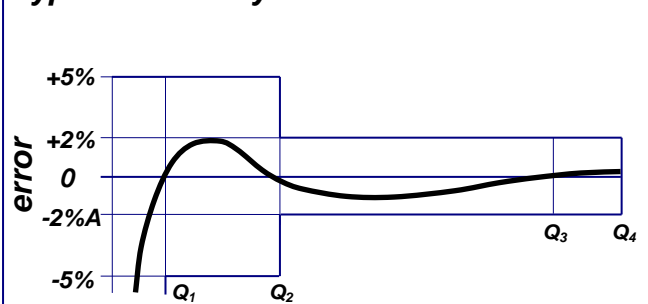
**Filiale Centro-Sud**  
Via Fontanelle, 3 – 00020 RIOFREDDO (RM) – ITALY  
Tel. e Fax +39.0774.920216  
E-mail: [centrosud@g2misuratori.it](mailto:centrosud@g2misuratori.it)



### Head loss curve



### Typical accuracy curve



AZIENDA CON SISTEMA  
DI GESTIONE QUALITÀ  
CERTIFICATO DA DNV GL  
= ISO 9001 =

AZIENDA CON SISTEMA  
DI GESTIONE AMBIENTALE  
CERTIFICATO DA DNV GL  
= ISO 14001 =