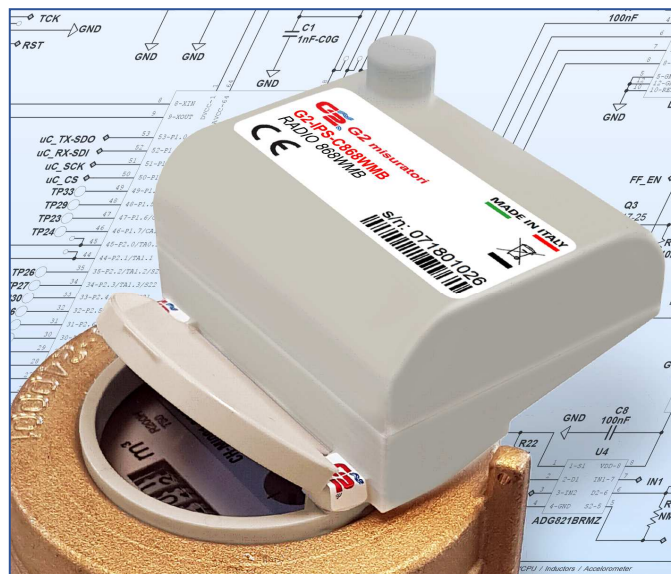


INDUCTIVE SENSOR WITH EMBEDDED 868 WIRELESS M-BUS RADIO MODULE MODEL G2-IPS-C868WMB for AFMS/BFM/QDFM/BFU/PFU/QDFU preset water meters

Inductive Sensor with 868 Mhz Wireless M-Bus available in compact version for multiple and single jet water meters with wet dial, liquid filled counter type, fully protected dial, and super dry dial MID approved, preset for inductive sensor in K1. The measurement of the water is done by conveying the flow rate into a rotation of a star index fitted with an amagnetic metallic disk placed on the water meter dial; the electronic device detects the number of rotations and counts the volume of water delivered.



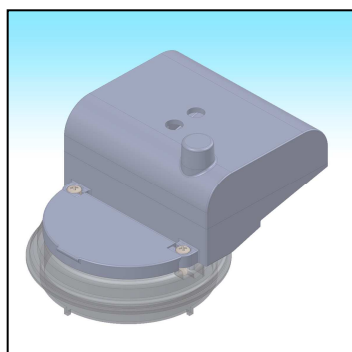
- Trasmission
- Trasmission interval
- Installations
- Consumption data
- Data security
- Transmission activation
- Configuration data update
- Transmitted Data
- Transmitted Alarms
- Communication interface

- Bidirectional on 868 MHz frequency on WMBus protocol
- Configurable, suitable to Walk-by /Drive-by reading systems
- Indoor and outdoor
- Net compensated of any possible reverse flow
- Multi-level cryptography
- Through magnet
- Remote configuration on fixed network
- Sensor ID , consumption data, hardware status , alarms, battery level
- Mechanical fraud (cable cut and removal) , reverse flow, battery low
- NFC preset for local configuration

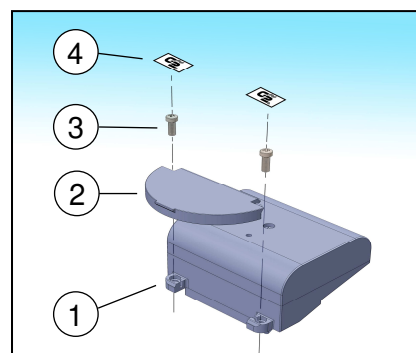
TECHNICAL FEATURES modello G2-IPS-C868WMB

Kind of device	Microprocessor device
Power Supply	Batteria al litio 3,6 V
Certifications	CE, EMC (electromagnetic compatibility)
Max pulse frequency	10 Hz
Ambient operating conditions	-10 °C ... +55 °C
Storage temperature	-20 °C ... +60 °C
Protection rate	IP68
Battery life	10 years

radio module assembly before sealing



exploded view drawing with assembly sequence



LIST OF COMPONENTS

1. G2-IPS Sensor
2. Dial lid
3. Fixing screws (n. 2)
4. Seal labels (n. 2)

We reserve the right to make changes to technical data and product illustrations – 10/18