

## INDUCTIVE SENSOR WITH EMBEDDED NB-IoT RADIO MODULE MODEL G2-IPS-CNB-IoT for AFMS/BFM/QDFM/ BFU/PFU/QDFU preset water meters

Inductive Sensor with embedded radio module NB-IoT available in compact version for multiple and single jet water meters with wet dial, liquid filled counter type, fully protected dial, and super dry dial MID approved, preset for inductive sensor in K1. The measurement of the water is done by conveying the flow rate into a rotation of a star index fitted with an amagnetic metallic disk placed on the water meter dial; the electronic device detects the number of rotations and counts the volume of water delivered.



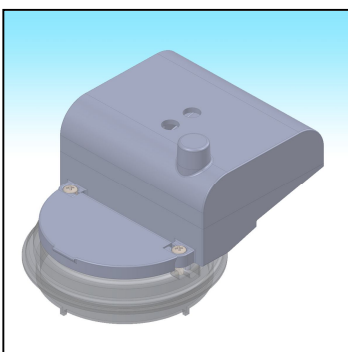
- Trasmission
- Trasmission interval
- Installations
- Consumption data
- Data security
- Transmission activation
- Configuration data update
- Transmitted Data
- Transmitted Alarms
- Communication interface

- Bidirectional on fixed network Cellular standard NB-IoT
- Daily intervals with 12-hours historical data (configurable)
- Indoor and outdoor
- Net compensated of any possible reverse flow
- Multi-level cryptography
- Through magnet
- Remote configuration on fixed network
- Sensor ID , consumption data, hardware status , alarms, battery level
- mechanical fraud (cable cut and removal ) , reverse flow, battery low
- NFC preset for local configuration

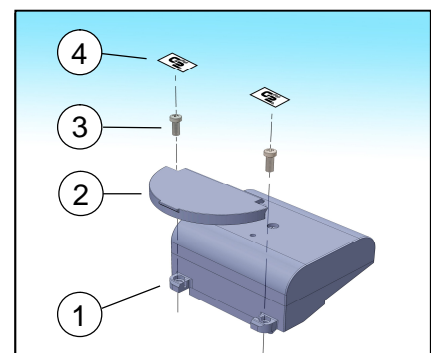
### TECHNICAL FEATURES model G2-IPS-CNB-IoT

Kind of device	Microprocessor device
Power Supply	Batteria al litio 3,6 V
Certifications	CE, EMC (electromagnetic compatibility)
Max pulse frequency	10 Hz
Ambient operating conditions	-10 °C ... +55 °C
Storage temperature	-20 °C ... +60 °C
Protection rate	IP68
Battery life	10 years

radio module assembly before sealing



exploded view drawing with assembly sequence



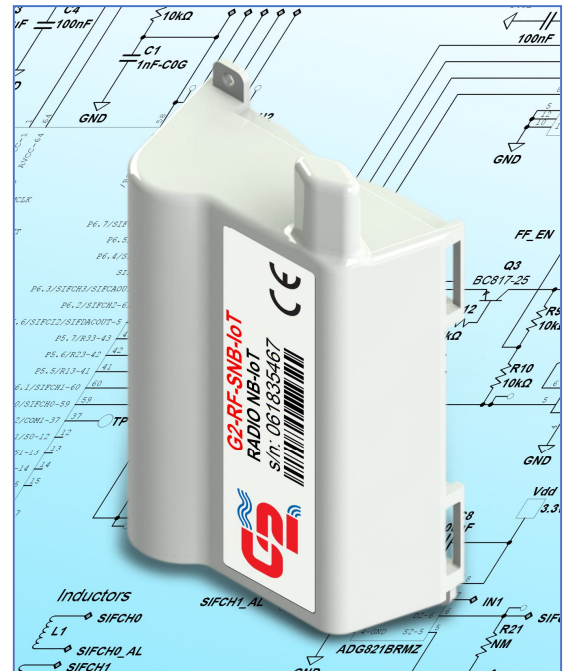
#### LIST OF COMPONENTS

1. G2-IPS Sensor
2. Dial lid
3. Fixing screws (n. 2)
4. Seal labels (n. 2)

We reserve the right to make changes to technical data and product illustrations – 10/18

## NB - IoT RADIO MODULE MODEL G2-RF-SNB-IoT WITH INPUTS FOR SEPARATE SENSORS

Radio Module with imbedded NB - IoT protocol for connection by cable to inductive sensor **G2-IPS** or to Hall Sensor, or to Reed contact.



- Trasmission
- Trasmission interval
  - Installation
- Consumption data
- Data security
- Transmission activation
- Configuration data update
- Transmitted Data
- Transmitted Alarms

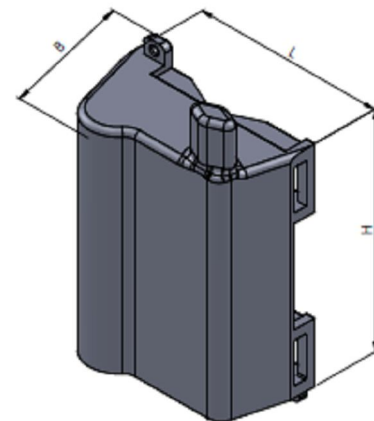
- Bidirectional on fixed network Cellular standard NB – IoT
- Daily intervals with 12-hours historical data (configurable)
- Indoor and outdoor
- Net compensated of any possible reverse flow
- Multi-level cryptography
- Through magnet
- Remote configuration on fixed network
- Sensor ID , consumption data, hardware status , alarms, battery level
- mechanical fraud (cable cut), reverse flow, battery low

### TECHNICAL CHARACTERISTICS model G2-RF-S868WMB

Kind of device	Microprocessor device
Power supply	Lithium Batteries 3,6 V
Battery life	10 years
Certifications	CE, EMC (electromagnetic compatibiliy)
Max pulse frequency	10 Hz
Ambient operating conditions	-10 °C ... +55 °C
Storage temperature	-20 °C ... +60 °C
Protection rate	IP67 (IP68 on request)
Width L (mm)	65
Thickness B (mm)	36
Height H (mm)	80

### CONNECTIONS

Digital inputs (flow direction and anti-fraud) for 2 water meters
2 analog inputs(eg. Temperature or pression sensor)
2 open collector digital outputs for remote device activation (eg. Solenoid valve, sensors)



We reserve the right to make changes to technical data and product illustrations – 10/18