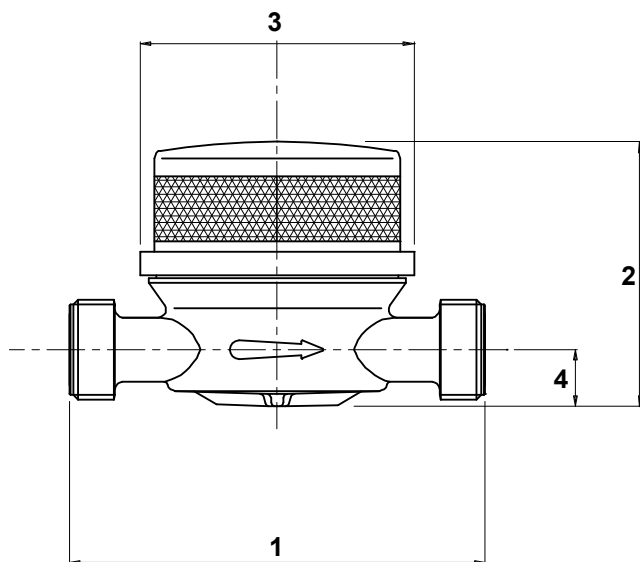


G2 misuratori water meters



SFU-R8SP / SCU-R8SP water meter with direct reading on 8 roller indicators

- Single jet water meter
- SFU-R8SP mod. dn. 1/2" and 3/4", for cold water max. 30°C
- SCU-R8SP mod. dn. 1/2" and 3/4", for hot water max. 90°C
- Direct reading on 8 roller indicators, rotating counter through 360°: 5 black digits for cubic meters, 3 red digits for liters
- Dry dial for any kind of water even if particularly hard, scaling, turbid or muddy
- Sealing ring with lead**
- Hydraulic performances according to the requirements of class B of EEC directive n. 75/33: on request sealed with EEC official mark



Hydraulic

performances

	size	
	13-1/2	20-3/4
<i>Q_{max}: maximum flow rate for short period (m³/h)</i>	3	5
<i>Q_n: nominal flow rate (m³/h)</i>	1,5	2,5
<i>Q_t: transitional flow rate with error ±2% in class B (l/h)</i>	120	200
<i>Q_{min}: minimum flow rate with error ±5% in class B (l/h)</i>	30	50
<i>Starting flow (l/h)</i>	7	15
<i>Maximum working pressure (bar)</i>	16	16
<i>Dial register from/to (m³)</i>	0,0001 100.000	0,0001 100.000
<i>1 - Length without couplings (mm)</i>	110-80 115-170	130
<i>Length with couplings (mm)</i>	190-160 195-250	228
<i>2 - Height (mm)</i>	66,5	70,5
<i>3 - Maximum diameter (mm)</i>	72,5	72,5
<i>4 - Height of tube (mm)</i>	15	20,5
<i>Weight with couplings (kg)</i>	0,660	0,840
<i>Weight without couplings (kg)</i>	0,500	0,600

Continuous development of our products may necessitate changes in details without prior notice.



G2 misuratori s.r.l.

14100 ASTI (AT) – ITALY
Via San Martino, 38

Telephone +39.0141.727749
Telefax +39.0141.702280

E-mail: info@g2misuratori.it
[Http://www.g2misuratori.it](http://www.g2misuratori.it)