

G2 misuratori water meters



Mod. PFM-R100
Mod. PFM-R160

Mod. BFM-R100
Mod. BFM-R160

MULTI

- ❑ Multi-jet turbine straight reading meter, temperature classes T30 and T50
- ❑ Mod. BFM-R100, WET dial, measuring range R100, for clean water
- ❑ Mod. BFM-R160, WET dial, measuring range R160, for clean water
- ❑ Mod. PFM-R100, LIQUID FILLED SEALED counter, measuring range R100, for turbid water
- ❑ Mod. PFM-R160, LIQUID FILLED SEALED counter, measuring range R160, for turbid water
- ❑ U0-D0: straight pipe not required upstream or downstream the meter
- ❑ All models can be customised with a **serial number and its relevant barcode indelibly engraved on the dial**
- ❑ All models are available with non return valve, upon request
- ❑ All models are **MID approved** according to the European Directive **2004/22/CE** (module B+D) and in compliance with the norms **EN 14154/2007** and **OIML R49/2006**, reaching an **R (Q₃/Q₁) ≤ 200**
- ❑ All models are certified for use with water for human consumption, according to the **D.M. 174** of 6/4/2004
- ❑ All models, on request, can be supplied pulsed output or **preset for remote reading**

MULTY



wet dial model
temperature classes T30 & T50

**BFM-R80 DN 15 / 20 / 25
32 / 40 / 50**

**BFM-R160 DN 15 / 20 / 25
32 / 40 / 50**

liquid-filled sealed counter
model

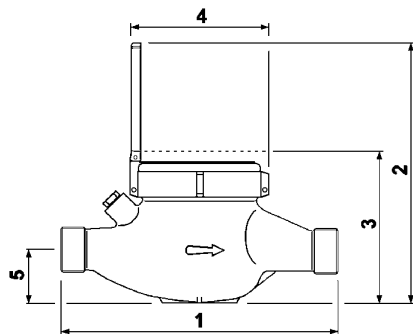
temperature classes T30 & T50

**PFM-R80 DN 15 / 20 / 25
32 / 40 / 50**

**PFM-R160 DN 15 / 20 / 25
32 / 40 / 50**

Different R available upon
request (from R10 to R250)

Technical data- DN in mm-inches	15-1/2	20-3/4	25-1	32-1.1/4	40-1.1/2	50-2
Permanent Flow Rate Q_3 (m ³ /h)	2,5	4,0	6,3	10	16	25
Max. flow rate for short period Q_4 (m ³ /h)	3,125	5,0	7,875	12,5	20	31,250
Transitional flow rate Q_2 at measuring range R100 [MPE $\pm 2\%$] (l/h)	40	64	100,8	160	256	400
Min. flow rate Q_1 with measuring range R100 [MPE $\pm 5\%$] (l/h)	25	40	63	100	160	250
Transitional flow rate Q_2 at measuring range R160 [MPE $\pm 2\%$] (l/h)	25	40	63	100	160	250
Min. flow rate Q_1 with measuring range R160 [MPE $\pm 5\%$] (l/h)	15,63	25	39,38	62,5	100	156,25
Accuracy at measuring range R100 (l/h)	8	10	19	19	40	40
Accuracy at measuring range R160 (l/h)	4	6	10	10	15	20
Pressure loss class ΔP	0,63	0,63	0,63	0,63	0,63	0,63
Max allowed working pressure MAP (bar)	16	16	16	16	16	16
Dial register from /to (m ³)	0,0001 / 100.000	0,0001 / 100.000	0,0001 / 100.000	0,0001 / 100.000	0,0001 / 100.000	0,0001 / 100.000
1) Length without couplings (mm)	110-115-130 145-165-170 190	160-165 190	220-260	220-260	300	300
Length with couplings (mm)	190-195-210 225-245-250 270	260-265 290	320-360	320-360	440	460
2) Height with open lid (mm)	185	185	200	200	210	220
3) Height with closet lid (mm)	105	105	120	120	130	140
4) Max. diameter (mm)	96	96	100	100	136	136
5) Height of tube (mm)	35	35	40	40	60	70
Weight with couplings (kg)	1,650	1,800	3,200	3,500	6,100	9,700
Weight without couplings (kg)	1,500	1,550	2,750	2,800	5,100	7,400



The following options are available upon request:

- Mod. BFM DN 15 high pressure version (40 bar)
- Non- return valve fitted on the outlet nipple
- Vertical riser body for vertical installation
- Models preset or fitted with single or double reed for pulse readout system
- Models preset or fitted with static sensor
- Models fitted with radio module

Continous development of our products may necessitate changes in details without prior notice - 01/10

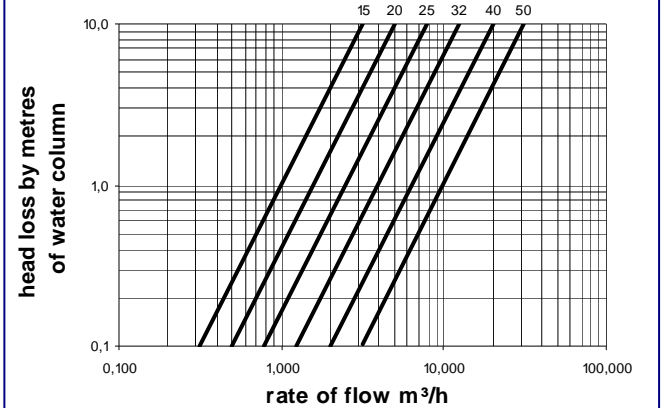


G2 misuratori S.r.l.
Via San Martino, 38 – 14100 ASTI (AT) – ITALY
Tel. +39.0141.727749 – Fax +39.0141.702280
E-mail: info@g2misuratori.it
[Http://www.g2misuratori.it](http://www.g2misuratori.it)

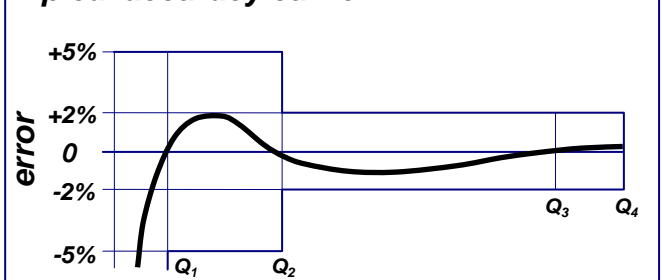
Filiale Centro-Sud
Via Fontanelle, 3 – 00020 RIOFREDDO (RM) – ITALY
Tel. e Fax +39.0774.920216
E-mail: centrosud@g2misuratori.it

water
meters

Head loss curve



Typical accuracy curve



COMPANY WITH QUALITY MANAGEMENT
SYSTEM CERTIFIED BY DNV
= ISO 9001:2008 =
CERT-03154-98-AQ-TRI-SINCERT
Design and manufacture of water meters



G2 misuratori water meters



Mod. QDFM-R100
Mod. QDFM-R160



MULTI

- ❑ Multi-jet turbine straight reading meter, temperature classes T30 and T50
- ❑ Mod. QDFM-R100, FULLY LIQUID FILLED SEALED counter, measuring range R100, for turbid water
- ❑ Mod. QDFM-R160, FULLY LIQUID FILLED SEALED counter, measuring range R160, for turbid water
- ❑ U0-D0: straight pipe not required upstream or downstream the meter
- ❑ All models can be customised with a **serial number and its relevant barcode indelibly engraved on the dial**
- ❑ All models are available with non return valve, upon request
- ❑ All models are **MID** approved according to the European Directive **2004/22/CE** (module B+D) and in compliance with the norms **EN 14154/2007** and **OIML R49/2006**, reaching an **R (Q₃/Q₁) ≤ 200**
- ❑ All models are certified for use with water for human consumption, according to the **D.M. 174** of 6/4/2004
- ❑ All models, on request, can be supplied pulsed output or **preset for remote reading**

MULTY



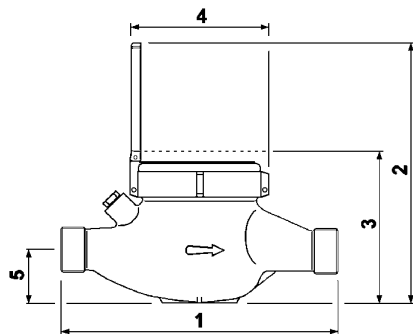
fully liquid filled sealed counter temperature classes T30 & T50

**QDFM-R100 DN 15 / 20 / 25
32 / 40 / 50**

**QDFM-R160 DN 15 / 20 / 25
32 / 40 / 50**

Different R available upon request (from R10 to R250)

Technical data- DN in mm-inches	15-1/2	20-3/4	25-1	32-1.1/4	40-1.1/2	50-2
Permanent Flow Rate Q_3 (m ³ /h)	2,5	4,0	6,3	10	16	25
Max. flow rate for short period Q_4 (m ³ /h)	3,125	5,0	7,875	12,5	20	31,250
Transitional flow rate Q_2 at measuring range R100 [MPE $\pm 2\%$] (l/h)	40	64	100,8	160	256	400
Min. flow rate Q_1 with measuring range R100 [MPE $\pm 5\%$] (l/h)	25	40	63	100	160	250
Transitional flow rate Q_2 at measuring range R160 [MPE $\pm 2\%$] (l/h)	25	40	63	100	160	250
Min. flow rate Q_1 with measuring range R160 [MPE $\pm 5\%$] (l/h)	15,63	25	39,38	62,5	100	156,25
Accuracy at measuring range R100 (l/h)	8	10	19	19	40	40
Accuracy at measuring range R160 (l/h)	4	6	10	10	15	20
Pressure loss class ΔP	0,63	0,63	0,63	0,63	0,63	0,63
Max allowed working pressure MAP (bar)	16	16	16	16	16	16
Dial register from /to (m ³)	0,0001 / 100.000	0,0001 / 100.000	0,0001 / 100.000	0,0001 / 100.000	0,0001 / 100.000 o	0,0001 / 100.000
1) Length without couplings (mm)	110-115-130 145-165-170 190	160-165 190	220-260	220-260	300	300
Length with couplings (mm)	190-195-210 225-245-250 270	260-265 290	320-360	320-360	440	460
2) Height with open lid (mm)	185	185	200	200	210	220
3) Height with closet lid (mm)	105	105	120	120	130	140
4) Max. diameter (mm)	96	96	100	100	136	136
5) Height of tube (mm)	35	35	40	40	60	70
Weight with couplings (kg)	1,650	1,800	3,200	3,500	6,100	9,700
Weight without couplings (kg)	1,500	1,550	2,750	2,800	5,100	7,400



The following options are available upon request:

- Mod. QDFM DN 15 high pressure version (40 bar)
- Non- return valve fitted on the outlet nipple
- Vertical riser body for vertical installation
- Models preset or fitted with single or double reed for pulse readout system
- Models preset or fitted with static sensor
- Models fitted with radio module

Continous development of our products may necessitate changes in details without prior notice - 01/10

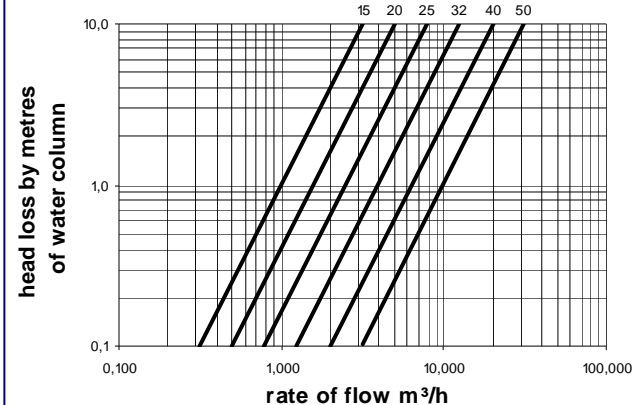


G2 misuratori S.r.l.
Via San Martino, 38 – 14100 ASTI (AT) – ITALY
Tel. +39.0141.727749 – Fax +39.0141.702280
E-mail: info@g2misuratori.it
[Http://www.g2misuratori.it](http://www.g2misuratori.it)

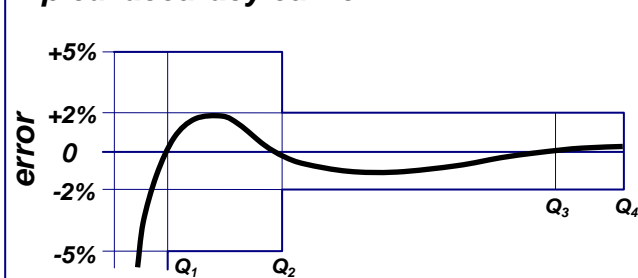
Filiale Centro-Sud
Via Fontanelle, 3 – 00020 RIOFREDDO (RM) – ITALY
Tel. e Fax +39.0774.920216
E-mail: centrosud@g2misuratori.it

water
meters

Head loss curve



Typical accuracy curve



COMPANY WITH QUALITY MANAGEMENT
SYSTEM CERTIFIED BY DNV
= ISO 9001:2008 =
CERT-03154-98-AQ-TRI-SINCERT
Design and manufacture of water meters

ACIS M
ASSOCIAZIONE COSTRUTTORI ITALIANI STRUMENTI DI MISURA

G2 misuratori water meters



MULTI

- ❑ Multi-jet water meter, direct reading
- ❑ BFMB model, with SUBMERGED dial, for cold water up to 30°C, class B
- ❑ BFMC model, with SUBMERGED dial, for cold water up to 30°C, class C
- ❑ PFMB model, with LIQUID-FILLED SEALED counter, for cold water water up to 30°C, class B
- ❑ PFMC model, with LIQUID-FILLED SEALED counter, for cold water water up to 30°C, class C
- ❑ For clear waters (BFM model); for turbid or muddy waters (PFM model)
- ❑ All models are available with non return valve on request
- ❑ Hydraulic performances of all models according to the requirements of EEC directive n. 75/33; on request can be sealed with EEC official mark
- ❑ BFM model dn. 1/2" high pressure (40 bar) is available on request
- ❑ All models **only pre-arranged** or equipped with an impulse-emitting device are available on request

MULTY

wet dial model for cold water up to 30°C

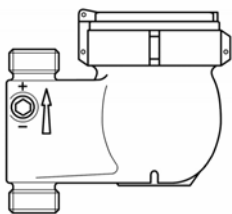
**BFMB – 13 / 20 / 25
30 / 40 / 50**

**BFMC – 13 / 20 / 25
30 / 40 / 50**

liquid-filled sealed counter model for cold water up to 30°C

**PFMB – 13 / 20 / 25
30 / 40 / 50**

**PFMC – 13 / 20 / 25
30 / 40 / 50**

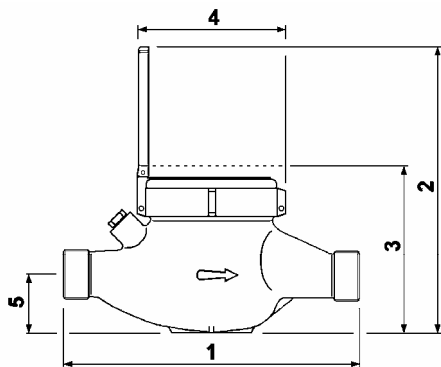


Vertical version available on request

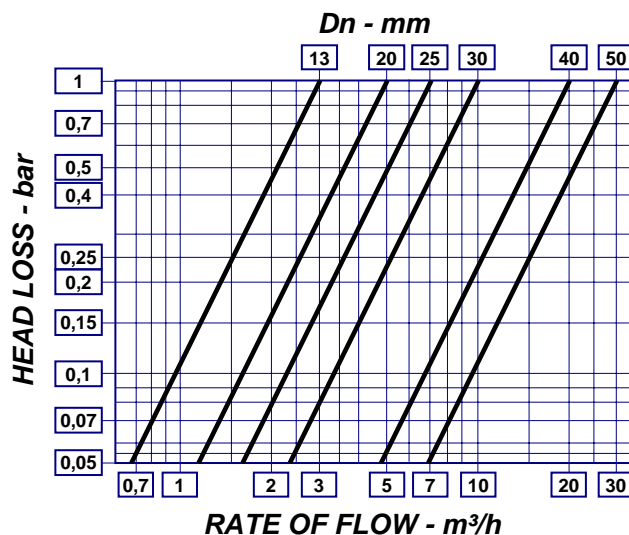
Hydraulic performances and overall dimensions

mm-inches

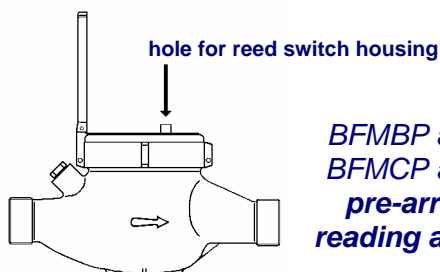
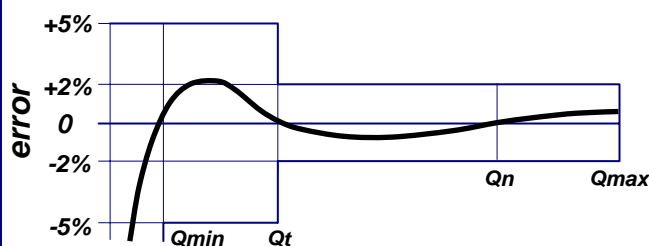
	13-1/2	20-3/4	25-1	30-1.1/4	40-1.1/2	50-2
Q _{max} : maximum flow rate for short period (m ³ /h)	3	5	7	10	20	30
Q _n : nominal flow rate (m ³ /h)	1,5	2,5	3,5	5	10	15
Q _t : transitional flow rate with error ±2% in class B (l/h)	120	200	280	400	800	3000
Q _{min} : minimum flow rate with error ±5% in class B (l/h)	30	50	70	100	200	450
Q _t : transitional flow rate with error ±2% in class C (l/h)	22,5	37,5	52,5	75	150	225
Q _{min} : minimum flow rate with error ±5% in class C (l/h)	15	25	35	50	100	90
Starting flow in class B (l/h)	10	10	19	19	40	40
Starting flow in class C (l/h)	6	6	10	10	15	20
Maximum working pressure (bar)	16	16	16	16	16	16
Dial register from/to (m ³)	0,0001 100.000	0,0001 100.000	0,0001 100.000	0,0001 100.000	0,0001 100.000 / 1.000.000	
1) Length without couplings (mm)	110-130-145 160-165-170 190	160-170 190	220-260	220-260	300	300
Length with couplings (mm)	190-210-225 240-245-250 270	260-270 290	320-360	320-360	440	460
2) Height with open lid (mm)	185	185	200	200	210	220
3) Height with closed lid (mm)	105	105	120	120	130	140
4) Maximum diameter (mm)	96	96	100	100	136	136
5) Height of tube (mm)	35	35	40	40	60	70
Weight with couplings (kg)	1,650	1,800	3,200	3,500	6,100	9,700
Weight without couplings (kg)	1,500	1,550	2,750	2,800	5,100	7,400



Head loss curve



Typical accuracy curve



BFMBP and PFMBP models
BFMCP and PFMCP models
pre-arranged for remote reading available on request

Continuous development of our products may necessitate changes in details without prior notice.



G2 misuratori s.r.l.
14100 ASTI (AT) – ITALY
Via San Martino, 38

Telephone +39.0141.727749-Telefax +39.0141.702280
E-mail: info@g2misuratori.it – Http://www.g2misuratori.it

G2 misuratori water meters



AFM / ACM MODEL
dn. 1/2" – 3/4" – 1" – 1.1/4" – 1.1/2" – 2"



MULTI

- Multi-jet water meter, direct reading
- AFM model, with DRY dial, for cold water up to 30°C
- ACM model, with DRY dial, for hot water up to 90°C
- For hard, scaling, turbid or muddy waters
- All models are available with non return valve on request
- Hydraulic performances of all models according to the requirements of **class B** of EEC directive n. 75/33; on request can be sealed with EEC official mark
- All models **only pre-arranged** or equipped with an impulse-emitting device are available on request

MULTY

dry dial model for cold water up to 30°C

- AFM – 13 mm. – 1/2"**
- AFM – 20 mm. – 3/4"**
- AFM – 25 mm. – 1"**
- AFM – 30 mm. – 1.1/4"**
- AFM – 40 mm. – 1.1/2"**
- AFM – 50 mm. – 2"**

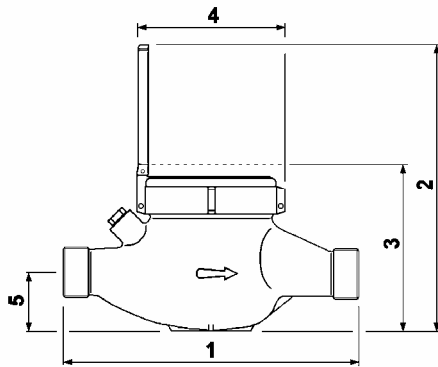
dry dial model for hot water up to 90°C

- ACM – 13 mm. – 1/2"**
- ACM – 20 mm. – 3/4"**
- ACM – 25 mm. – 1"**
- ACM – 30 mm. – 1.1/4"**
- ACM – 40 mm. – 1.1/2"**
- ACM – 50 mm. – 2"**

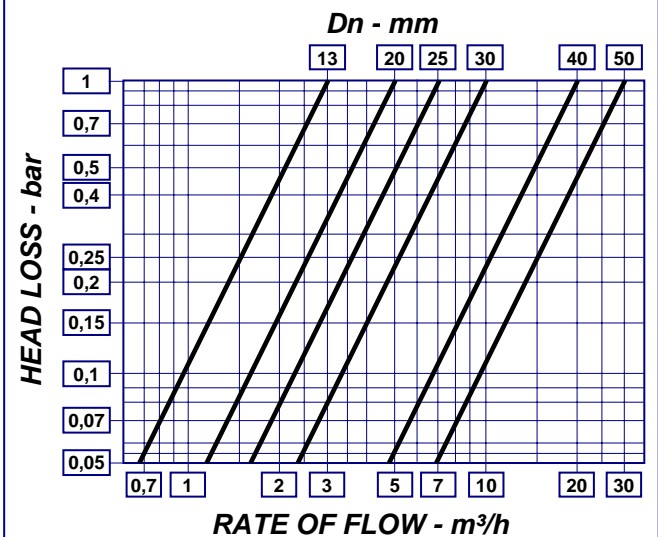
Hydraulic performances and overall dimensions

mm-inches

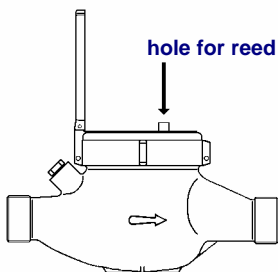
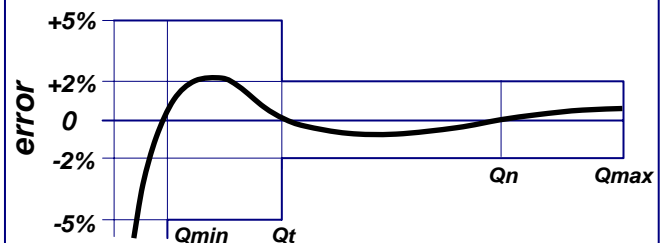
	13-1/2	20-3/4	25-1	30-1.1/4	40-1.1/2	50-2
Qmax: maximum flow rate for short period (m³/h)	3	5	7	10	20	30
Qn: nominal flow rate (m³/h)	1,5	2,5	3,5	5	10	15
Qt: transitional flow rate with error ±2% in class B (l/h)	120	200	280	400	800	3000
Qmin: minimum flow rate with error ±5% in class B (l/h)	30	50	70	100	200	450
Starting flow (l/h)	10	12	22	22	50	60
Maximum working pressure (bar)	16	16	16	16	16	16
Dial register from/to (m³)	0,0001 100.000	0,0001 100.000	0,0001 100.000	0,0001 100.000	0,0001 100.000	0,0001 100.000
1) Length without couplings (mm)	110-130-145 160-165-170 190	160-170 190	220-260	220-260	300	300
Length with couplings (mm)	190-210-225 240-245-250 270	260-270 290	320-360	320-360	440	460
2) Height with open lid (mm)	185	185	200	200	210	220
3) Height with closed lid (mm)	105	105	120	120	130	140
4) Maximum diameter (mm)	96	96	100	100	136	136
5) Height of tube (mm)	35	35	40	40	60	70
Weight with couplings (kg)	1,650	1,800	3,200	3,500	6,100	9,700
Weight without couplings (kg)	1,500	1,550	2,750	2,800	5,100	7,400



Head loss curve



Typical accuracy curve



AFMP and ACMP models pre-arranged for remote reading available on request

Continuous development of our products may necessitate changes in details without prior notice.



G2 misuratori s.r.l.
14100 ASTI (AT) – ITALY
Via San Martino, 38

Telephone +39.0141.727749-Telefax +39.0141.702280
E-mail: info@g2misuratori.it – Http://www.g2misuratori.it

G2 misuratori water meters



Mod. PFU-R100
Mod. PFU-R160

Mod. BFU-R100
Mod. BFU-R160

UNY

- ❑ Single-jet meter, direct reading, temperature classes T30 and T50
- ❑ Mod. BFU-R100, WET DIAL, measuring range R100, for clean water
- ❑ Mod. BFU-R160, WET DIAL, measuring range R160, for clean water
- ❑ Mod. PFU-R100, LIQUID FILLED SEALED counter, measuring range R100, for turbid water
- ❑ Mod. PFU-R160, LIQUID FILLED SEALED counter, measuring range R160, for turbid water
- ❑ U0-D0: straight pipe not required upstream or downstream the meter
- ❑ All models can be customised with a **serial number and its relevant barcode indelibly engraved on the dial**
- ❑ All models are **MID approved** according to the European Directive **2004/22/CE** (module B+D) and in compliance with the norms **EN 14154/2007** and **OIML R49/2006**, reaching an **R (Q₃/Q₁) ≤ 160**
- ❑ All models are certified for use with water for human consumption, according to the **D.M. 174** of 6/4/2004
- ❑ All models, on request, can be supplied pulsed output or **preset for remote reading**

wet dial
temperature classes T30 & T50

**BFU-R100 DN 15 / 20 / 25
32 / 40**

**BFU-R160 DN 15 / 20 / 25
32 / 40**

liquid filled sealed counter type
temperature classes T30 & T50

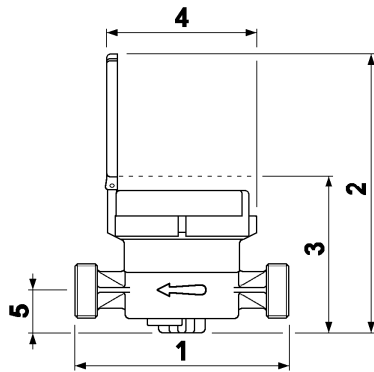
**PFU-R100 DN 15 / 20 / 25
32 / 40**

**PFU-R160 DN 15 / 20 / 25
32 / 40**

Different R available upon
request (from R10 to R200)

Technical data- DN in mm-inches 15-1/2 20-3/4 25-1 32-1.1/4 40-1.1/2

Technical data- DN in mm-inches	15-1/2	20-3/4	25-1	32-1.1/4	40-1.1/2
Permanent Flow Rate Q_3 (m ³ /h)	2,5	4,0	6,3	10	16
Max. flow rate for short period Q_4 (m ³ /h)	3,125	5,0	7,875	12,5	20
Transitional flow rate Q_2 at measuring range R100 [MPE $\pm 2\%$] (l/h)	40	64	100,8	100	256
Min. flow rate Q_1 with measuring range R100 [MPE $\pm 5\%$] (l/h)	25	40	63	125	160
Transitional flow rate Q_2 at measuring range R160 [MPE $\pm 2\%$] (l/h)	25	40	63	100	160
Min. flow rate Q_1 with measuring range R160 [MPE $\pm 5\%$] (l/h)	15,63	25	39,38	62,5	100
Accuracy at measuring range R100 (l/h)	10	15	20	20	25
Accuracy at measuring range R160 (l/h)	5	8	8	13	18
Pressure loss class ΔP	0,63	0,63	0,63	0,63	0,63
Max allowed working pressure MAP (bar)	16	16	16	16	16
Dial register from /to (m ³)	0,0001 / 100.000	0,0001 / 100.000	0,0001 / 100.000	0,0001 / 100.000	0,0001 / 100.000
1) Length without couplings (mm)	110-115	130	160	160	200
Length with couplings (mm)	190-195	228	260	280	340
2) Height with open lid (mm)	150	150	185	185	200
3) Height with closet lid (mm)	83	83	103	103	120
4) Max diameter (mm)	80	80	100	100	110
5) Height of tube (mm)	24	24	34	34	42
Weight with couplings (kg)	0,850	1,100	1,750	2,000	3,460
Weight without couplings (kg)	0,690	0,860	1,280	1,330	2,420



The following options are available upon request:

- Models preset or fitted with single or double reed for pulse readout system
- Models preset or fitted with static sensor
- Models fitted with radio module

Continous development of our products may necessitate changes in details without prior notice - 01/10

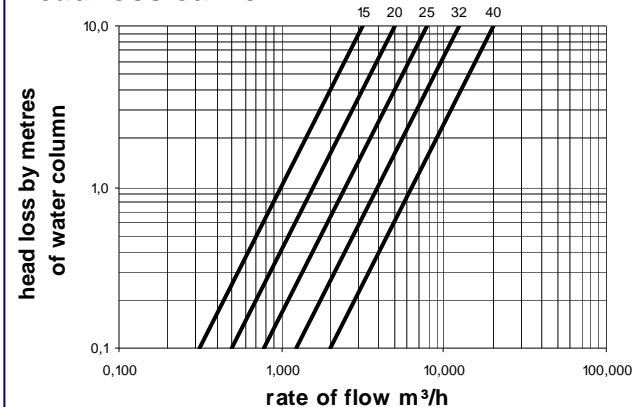


G2 misuratori S.r.l.
Via San Martino, 38 – 14100 ASTI (AT) – ITALY
Tel. +39.0141.727749 – Fax +39.0141.702280
E-mail: info@g2misuratori.it
[Http://www.g2misuratori.it](http://www.g2misuratori.it)

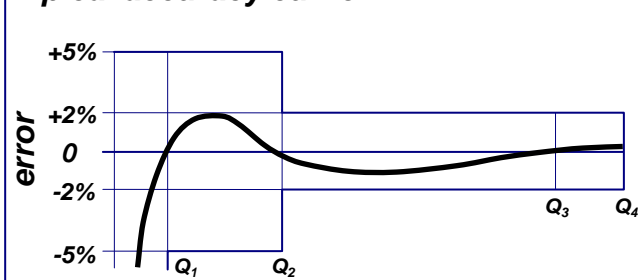
water
meters

Filiale Centro-Sud
Via Fontanelle, 3 – 00020 RIOFREDDO (RM) – ITALY
Tel. e Fax +39.0774.920216
E-mail: centrosud@g2misuratori.it

Head loss curve



Typical accuracy curve



COMPANY WITH QUALITY MANAGEMENT
SYSTEM CERTIFIED BY DNV
= ISO 9001:2008 =

CERT-03154-98-AQ-TRI-SINCERT
Design and manufacture of water meters

G2 misuratori water meters



Mod. QDFU-R100
Mod. QDFU-R160



UNY

- ❑ Single-jet meter, direct reading, temperature classes T30 and T50
- ❑ Mod. QDFU-R100, FULLY LIQUID FILLED SEALED counter, measuring range R100, for turbid water
- ❑ Mod. QDFU-R160, FULLY LIQUID FILLED SEALED counter, measuring range R160, for turbid water
- ❑ U0-D0: straight pipe not required upstream or downstream the meter
- ❑ All models can be customised with a **serial number and its relevant barcode indelibly engraved on the dial**
- ❑ All models are **MID** approved according to the European Directive **2004/22/CE** (module B+D) and in compliance with the norms **EN 14154/2007** and **OIML R49/2006**, reaching an **R (Q₃/Q₁) ≤ 160**
- ❑ All models are certified for use with water for human consumption, according to the **D.M. 174** of 6/4/2004
- ❑ All models, on request, can be supplied pulsed output or **preset for remote reading**

fully liquid filled sealed counter temperature classes T30 & T50

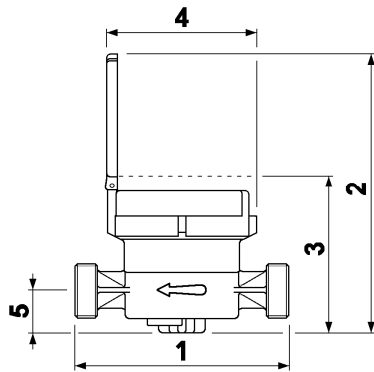
**QDFU-R100 DN 15 / 20 / 25
32 / 40**

**QDFU-R160 DN 15 / 20 / 25
32 / 40**

Different R available upon request (from R10 to R200)

Technical data- DN in mm-inches

	15-1/2	20-3/4	25-1	32-1.1/4	40-1.1/2
Permanent Flow Rate Q_3 (m ³ /h)	2,5	4,0	6,3	10	16
Max. flow rate for short period Q_4 (m ³ /h)	3,125	5,0	7,875	12,5	20
Transitional flow rate Q_2 at measuring range R100 [MPE $\pm 2\%$] (l/h)	40	64	100,8	100	256
Min. flow rate Q_1 with measuring range R100 [MPE $\pm 5\%$] (l/h)	25	40	63	125	160
Transitional flow rate Q_2 at measuring range R160 [MPE $\pm 2\%$] (l/h)	25	40	63	100	160
Min. flow rate Q_1 with measuring range R160 [MPE $\pm 5\%$] (l/h)	15,63	25	39,38	62,5	100
Accuracy at measuring range R100 (l/h)	10	15	20	20	25
Accuracy at measuring range R160 (l/h)	5	8	8	13	18
Pressure loss class ΔP	0,63	0,63	0,63	0,63	0,63
Max allowed working pressure MAP (bar)	16	16	16	16	16
Dial register from /to (m ³)	0,0001 / 100.000	0,0001 / 100.000	0,0001 / 100.000	0,0001 / 100.000	0,0001 / 100.000
1) Length without couplings (mm)	110-115	130	160	160	200
Length with couplings (mm)	190-195	228	260	280	340
2) Height with open lid (mm)	150	150	185	185	200
3) Height with closet lid (mm)	83	83	103	103	120
4) Max diameter (mm)	80	80	100	100	110
5) Height of tube (mm)	24	24	34	34	42
Weight with couplings (kg)	0,850	1,100	1,750	2,000	3,460
Weight without couplings (kg)	0,690	0,860	1,280	1,330	2,420



The following options are available upon request:

- Models preset or fitted with single or double reed for pulse readout system
- Models preset or fitted with static sensor
- Models fitted with radio module

Continous development of our products may necessitate changes in details without prior notice - 01/10

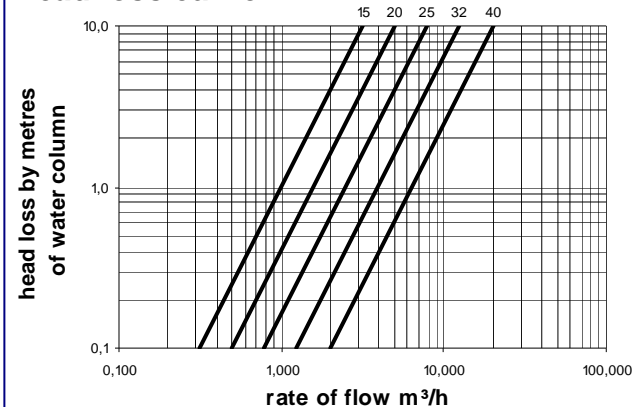


G2 misuratori S.r.l.
Via San Martino, 38 – 14100 ASTI (AT) – ITALY
Tel. +39.0141.727749 – Fax +39.0141.702280
E-mail: info@g2misuratori.it
[Http://www.g2misuratori.it](http://www.g2misuratori.it)

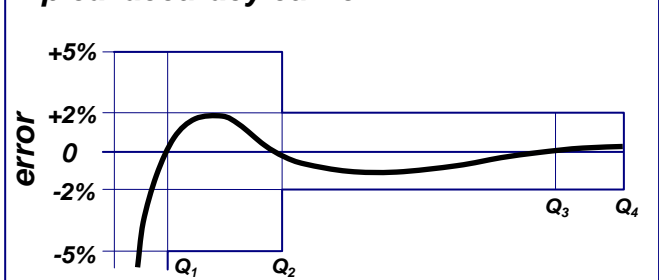
water
meters

Filiale Centro-Sud
Via Fontanelle, 3 – 00020 RIOFREDDO (RM) – ITALY
Tel. e Fax +39.0774.920216
E-mail: centrosud@g2misuratori.it

Head loss curve



Typical accuracy curve



COMPANY WITH QUALITY MANAGEMENT
SYSTEM CERTIFIED BY DNV
= ISO 9001:2008 =

CERT-03154-98-AQ-TRI-SINCERT
Design and manufacture of water meters

G2 misuratori water meters



UNI

- ❑ Single jet water meter
- ❑ BFUB model, with WET dial, for cold water up to 30°C, class B
- ❑ BFUC model, with WET dial, for cold water up to 30°C, class C
- ❑ BCUB model, with WET dial, for hot water up to 90°C, class B
- ❑ PFUB model, with LIQUID-FILLED SEALED counter, for cold water up to 30°C, class B
- ❑ PFUC model, with LIQUID-FILLED SEALED counter, for cold water up to 30°C, class C
- ❑ Direct reading
- ❑ For clear waters (BFU / BCU model); for turbid or muddy waters (PFU model)
- ❑ Hydraulic performances of all models according to the requirements of EEC directive n. 75/33; on request can be sealed with EEC official mark
- ❑ All models **only pre-arranged** or equipped with an impulse-emitting device are available on request

UNY

wet dial model for cold water up to 30°C

BFUB – 13 / 20 / 25 / 30 / 40

BFUC – 13 / 20 / 25 / 30 / 40

wet dial model for hot water up to 90°C

BCUB – 13 / 20 / 25 / 30 / 40

liquid-filled sealed counter model for cold water up to 30°C

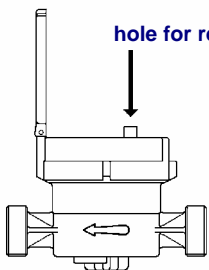
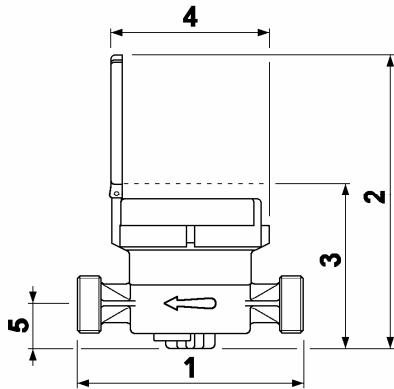
PFUB – 13 / 20 / 25 / 30

PFUC – 13 / 20 / 25 / 30

Hydraulic performances and overall dimensions

mm- inches

	13-1/2	20-3/4	25-1	30-1.1/4	40-1.1/2
Qmax: maximum flow rate for short period (m³/h)	3	5	7	10	20
Qn: nominal flow rate (m³/h)	1,5	2,5	3,5	5	10
Qt: transitional flow rate with error ±2% in class B (l/h)	120	200	280	400	800
Qmin: minimum flow rate with error ±5% in class B (l/h)	30	50	70	100	200
Qt: transitional flow rate with error ±2% in class C (l/h)	22,5	37,5	52,5	75	150
Qmin: minimum flow rate with error ±5% in class C (l/h)	15	25	35	50	100
Starting flow in class B (l/h)	10	15	20	20	25
Starting flow in class C (l/h)	5	8	8	13	18
Maximum working pressure (bar)	16	16	16	16	16
Dial register from/to (m³)	0,0001 / 100.000	0,0001 / 100.000	0,0001 / 100.000	0,0001 / 100.000	0,0001 / 100.000
1) Length without couplings (mm)	110-115	130	160	160	200
Length with couplings (mm)	190-195	228	260	280	340
2) Height with open lid (mm)	150	150	185	185	200
3) Height with closed lid (mm)	83	83	103	103	120
4) Maximum diameter (mm)	80	80	100	100	110
5) Height of tube (mm)	24	24	34	34	42
Weight with couplings (kg)	0,850	1,100	1,750	2,000	3,460
Weight without couplings (kg)	0,690	0,860	1,280	1,330	2,420

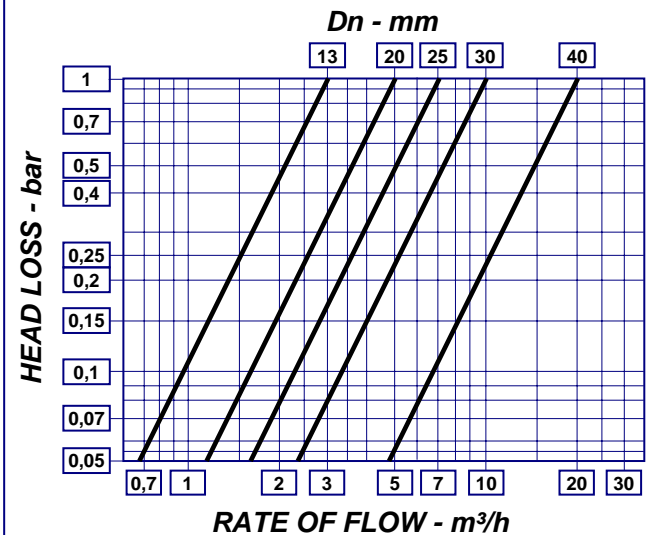


hole for reed switch housing

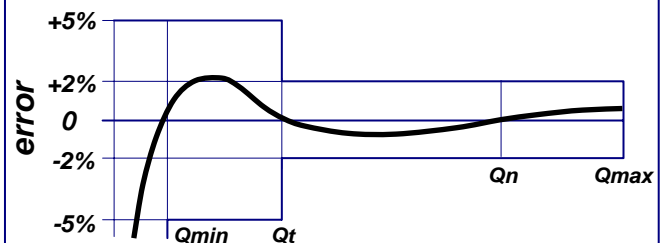
BFUBP and PFUBP models
BFUCP and PFUCP models
pre-arranged for remote reading available on request

Continuous development of our products may necessitate changes in details without prior notice.

Head loss curve



Typical accuracy curve



G2 misuratori s.r.l.

14100 ASTI (AT) – ITALY

Via San Martino, 38

Telephone +39.0141.727749-Telefax +39.0141.702280

E-mail: info@g2misuratori.it – Http://www.g2misuratori.it

G2 misuratori water meters



Mod. AFU-R80
DN 25 – 32 – 40

Mod. SFU-R80 / SCU-R80
DN 15 - 20

- Single-jet meter, direct reading
- DRY dial for turbid and greatly calcareous waters (mod.SFU/SCU are fitted with 360° rotating dial for easy reading, and on request, available with or without lid, with or without glass wiping)
- Mod. SFU-R80, DN 15 – 20, temperature classes T30 and T50, measuring range R80
- Mod. SCU-R80, DN 15 – 20, temperature classes T70 and T90, measuring range R80
- Mod. AFU-R80, DN 25 – 32 – 40, temperature classes T30 and T50, measuring range R80
- U0-D0: straight pipe not required upstream or downstream the meter
- All models can be customised with a **serial number and its relevant barcode indelibly engraved on the dial**
- All models are **MID** approved according to the European Directive **2004/22/CE** (module B+D) and in compliance with the norms **EN 14154/2007** and **OIML R49/2006**, reaching an **R (Q₃/Q₁) ≤ 80**
- All models are certified for use with water for human consumption, according to the **D.M. 174** of 6/4/2004
- All models, on request, can be supplied pulsed output or **preset for remote reading**

UNY

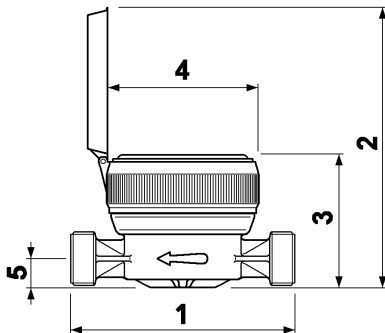
dry dial
temperature classes T30 & T50
SFU-R80 DN 15 / 20

AFU-R80 DN 25 / 32 / 40

dry dial
temperature classes T70 & T90
SCU-R80 DN 15 / 20

Different R available upon
request (from R10 to R80)

Technical data- DN in mm-inches	15-1/2	20-3/4	25-1	32-1.1/4	40-1.1/2
Permanent Flow Rate Q_3 (m ³ /h)	2,5	4,0	6,3	10	16
Max. flow rate for short period Q_4 (m ³ /h)	3,125	5,0	7,875	12,5	20
Transitional flow rate Q_2 at measuring range R80 [MPE $\pm 2\%$]	50	80	126	200	320
Min flow rate Q_1 with measuring range R80 [MPE $\pm 5\%$] (l/h)	31,25	50	78,75	125	200
Accuracy at measuring range R80 (l/h)	7	15	20	20	25
Pressure loss class ΔP	0,63	0,63	0,63	0,63	0,63
Max allowed working pressure MAP (bar)	16	16	16	16	16
Dial register from /to (m ³)	0,0001 / 100.000	0,0001 / 100.000	0,0001 / 100.000	0,0001 / 100.000	0,0001 / 100.000
1) Length without couplings (mm)	110-80 115-170	130	160	160	200
Length with couplings (mm)	190-160 195-250	228	260	280	340
2) Height with open lid (mm)	138	143	185	185	195
3) Height with closet lid (mm)	70	74	128	128	142
4) Max. diameter (mm)	72	72	100	100	110
5) Height of tube (mm)	16	19	34	34	42
Weight with couplings (kg)	0,660	0,840	1,850	2,150	3,540
Weight without couplings (mm)	0,500	0,600	1,380	1,440	2,500



The following options are available upon request:

- Mod. SFU 8 digit rolls (5 black and 3 red digits respectively for cubic meters and for litres)
- Mod. SFU with systems that compensates the water increase when frosting
- Models preset or fitted with single or double reed for pulse readout system
- Models preset or fitted with static sensor
- Models fitted with radio module

Continous development of our products may necessitate changes in details without prior notice - 01/10

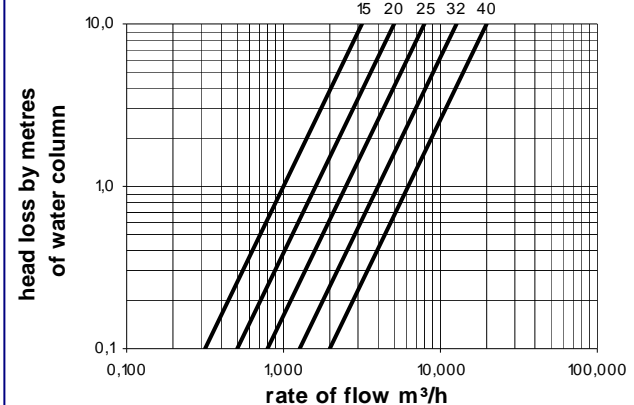


G2 misuratori S.r.l.
Via San Martino, 38 – 14100 ASTI (AT) – ITALY
Tel. +39.0141.727749 – Fax +39.0141.702280
E-mail: info@g2misuratori.it
Http://www.g2misuratori.it

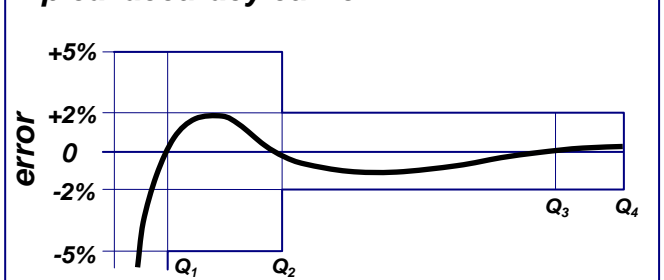
water
meters

Filiale Centro-Sud
Via Fontanelle, 3 – 00020 RIOFREDDO (RM) – ITALY
Tel. e Fax +39.0774.920216
E-mail: centrosud@g2misuratori.it

Head loss curve



Typical accuracy curve



COMPANY WITH QUALITY MANAGEMENT
SYSTEM CERTIFIED BY DNV
= ISO 9001:2008 =
CERT-03154-98-AQ-TRI-SINCERT
Design and manufacture of water meters

G2 misuratori water meters



AFU / ACU MODEL
dn. 1" – 1.1/4" – 1.1/2"



SFU / SCU MODEL
dn. 1/2" – 3/4"

- Single-jet water meter
- DRY dial for any kind of water even if particularly hard, scaling, turbid or muddy
- SFU model, dn. 1/2" e 3/4", for cold water up to 30°C
- SCU model, dn. 1/2" e 3/4", for hot water up to 90°C
- AFU model, dn. 1", 1.1/4" e 1.1/2", for cold water up to 30°C
- ACU model, dn. 1", 1.1/4" e 1.1/2", for hot water up to 90°C
- Straight reading on numbered drums (SFU/SCU model has a rotating-register for easy reading in every fitting positions, available with or without plastic lid – with or without glass-wiper on request)
- Hydraulic performances according to the requirements of class B of EEC Directive n. 75/33; AFU/40 1.1/2" model available in more restrictive **class C**
- All models are available sealed with EEC official mark on request
- All models **only pre-arranged** or equipped with an impulse-emitting device are available on request

UNIV

UNY

dry dial model for cold water up to 30°C

SFU – 13 mm. – 1/2"

SFU – 20 mm. – 3/4"

AFU – 25 mm. – 1"

AFU – 30 mm. – 1.1/4"

AFU – 40 mm. – 1.1/2"

dry dial model for hot water up to 90°C

SCU – 13 mm. – 1/2"

SCU – 20 mm. – 3/4"

ACU – 25 mm. – 1"

ACU – 30 mm. – 1.1/4"

ACU – 40 mm. – 1.1/2"

SFU models are available on request in the following versions:

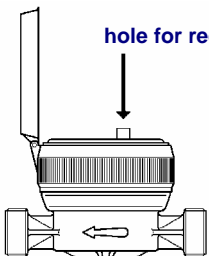
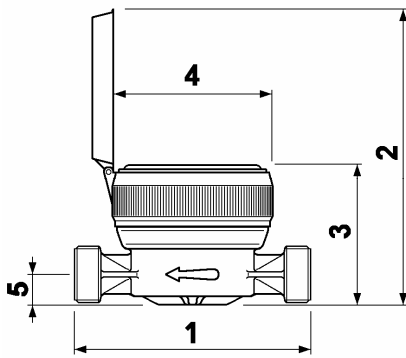
- 8 direct-read roller indicators (5 black for m³, 3 red for liters)
- with system which compensates the water increase when frosting

Hydraulic performances and overall dimensions

mm-inches

13-1/2 20-3/4 25-1 30-1.1/4 40-1.1/2

Q _{max} : maximum flow rate for short Period (m ³ /h)	3	5	7	10	20
Q _n : nominal flow rate (m ³ /h)	1,5	2,5	3,5	5	10
Q _t : transitional flow rate with error ±2% in class B (l/h)	120	200	280	400	800
Q _{min} minimum flow rate with error ±5% in class B (l/h)	30	50	70	100	200
Q _t : transitional flow rate with error ±2% in class C (l/h)	-	-	-	-	150
Q _{min} minimum flow rate with error ±5% in class C (l/h)	-	-	-	-	100
Starting flow (l/h)	7	15	20	20	25
Maximum working pressure (bar)	16	16	16	16	16
Dial register from/to (m ³)	0,0001 100.000	0,0001 100.000	0,0001 100.000	0,0001 100.000	0,0001 100.000
1) Length without couplings (mm)	110-80 115-170	130	160	160	200
Length with couplings (mm)	190-160 195-250	228	260	280	340
2) Height with open lid (mm)	138	143	185	185	195
3) Height with closed lid (mm)	70	74	128	128	142
4) Maximum diameter (mm)	72	72	100	100	110
5) Height of tube (mm)	16	19	34	34	42
Weight with couplings (kg)	0,660	0,840	1,850	2,150	3,540
Weight without couplings (kg)	0,500	0,600	1,380	1,440	2,500



hole for reed switch housing

SFUP and AFUP models pre-arranged for remote reading available on request

Continuous development of our products may necessitate changes in details without prior notice.



G2 misuratori s.r.l.

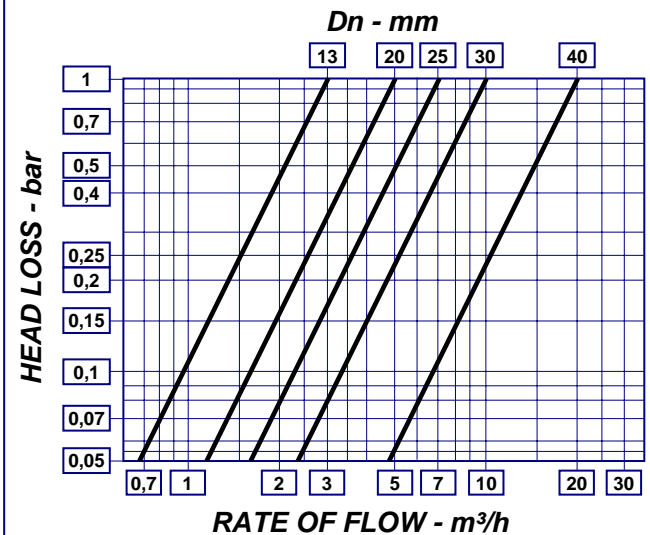
14100 ASTI (AT) – ITALY

Via San Martino, 38

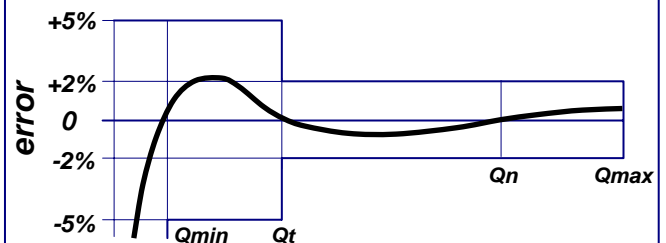
Telephone +39.0141.727749-Telefax +39.0141.702280

E-mail: info@g2misuratori.it – Http://www.g2misuratori.it

Head loss curve



Typical accuracy curve



G2 misuratori water meters

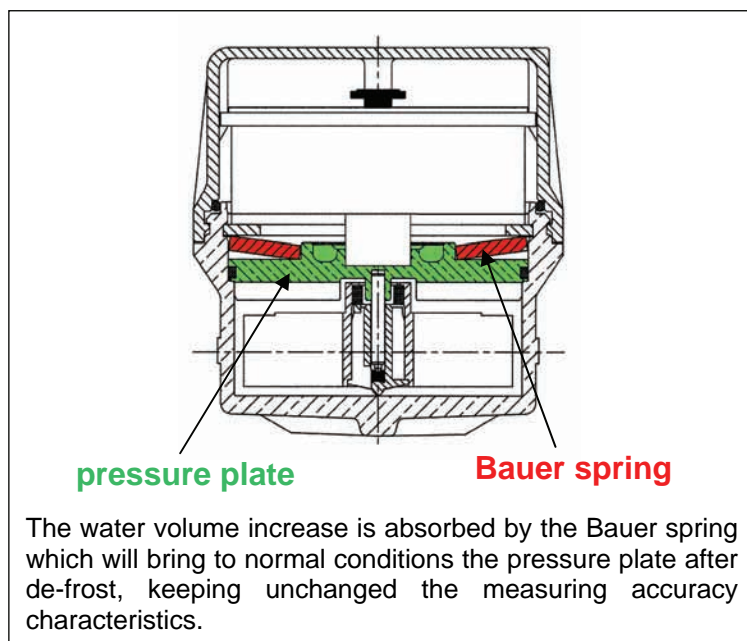


SFU-R8 / SCU-R8 WATER METER 8 direct-read roller indicator

- ❑ Single-jet turbine water meter
- ❑ SFU-R8 model, dn. 1/2" and 3/4", for cold water up to 30°C
- ❑ SCU-R8 model, dn. 1/2" and 3/4", for hot water up to 90°C
- ❑ 8 direct-read roller indicator, rotating counter through 360° for easy reading: 5 black digits for cubic meters, 3 red digits for liters
- ❑ Dry dial for any kind of water even if particularly hard, scaling, turbid or muddy
- ❑ All the models are available: with or without plastic lid – with or without glass-wiper
- ❑ Hydraulic performances according to the requirements of **class B** of EEC Directive n. 75/33; on request can be sealed with EEC official mark
- ❑ All models **only pre-arranged** or equipped with an impulse-emitting device are available on request



SFU-SG WATER METER model with system which compensates the water increase when frosting – 5 or 8 direct-read roller indicator



Hydraulic performances and overall dimensions

mm-inches

13-1/2 13-1/2 20-3/4

Qmax: maximum flow rate for short period (m³/h)	2,5	3	5
Qn: nominal flow rate (m³/h)	1,25	1,5	2,5
Qt: transitional flow rate with error ±2% in class B (l/h)	100	120	200
Qmin: minimum flow rate with error ±5% in class B (l/h)	25	30	50
Starting flow (l/h)	7	7	15
Maximum working pressure (bar)	16	16	16
Dial register from/to (m³)	0,0001 100.000	0,0001 100.000	0,0001 100.000
Length without couplings (mm)	110-80 115-170	110-80 115-170	130
Length with couplings (mm)	190-160 195-250	190-160 195-250	228
Height with open lid (mm)	138	138	143
Height with closed lid (mm)	70	70	74
Maximum diameter (mm)	72	72	72
Height of tube (mm)	16	16	19
Weight with couplings (kg)	0,660	0,660	0,840
Weight without couplings (kg)	0,500	0,500	0,600

Continuous development of our products may necessitate changes in details without prior notice.



G2 misuratori s.r.l.
14100 ASTI (AT) – ITALY
Via San Martino, 38

Telephone +39.0141.727749
Telefax +39.0141.702280
E-mail: info@g2misuratori.it
[Http://www.g2misuratori.it](http://www.g2misuratori.it)

G2 misuratori water meters



WATER METERS EQUIPPED WITH AN IMPULSE-EMITTING DEVICE

All models can also be supplied just with pre-arrangement for impulse-emitting device

- BFUL model** from DN. 13 to DN. 40
single jet – wet dial – cold water up to 30°C
- PFUL model** from DN. 13 to DN. 30
single jet – liquid-filled sealed counter – cold water up to 30°C
- SFUL and AFUL models** from DN.13 to DN. 40
single jet – dry dial – cold water up to 30°C
- SCUL and ACUL models** from DN.13 to DN. 40
single jet – dry dial – hot water up to 90°C
- BFML model** from DN. 13 to DN. 50
multi jet – wet dial – cold water up to 30°C
- PFML model** from DN. 13 to DN. 50
multi jet – liquid-filled sealed counter – cold water up to 30°C
- AFML model** from DN. 13 to DN. 50
multi jet – dry dial – cold water up to 30°C
- ACML model** from DN. 13 to DN. 50
multi jet – dry dial – hot water up to 90°C
- WELF model** from DN. 50 to DN. 300
helical vane (Woltmann) – dry dial – cold water up to 50°C
- WELC model** from DN. 50 to DN. 300
helical vane (Woltmann) – dry dial – hot water up to 120°C

For hydraulic performances and tecnica data please refer to the concerned water meter sheet (ex. For SCUL see SCU sheet).



multi jet and single jet pulse rates (pulse value must be stated when ordering):

0,25	0,5	1	2,5	5	10	25	50	100	250	500	1000
------	-----	---	-----	---	----	----	----	-----	-----	-----	------

helical vane (Woltmann) pulse rates (pulse value must be stated when ordering):

<i>WELF model from DN. 50 to DN. 125 – cold water</i>	<i>WELF model from DN. 150 to DN. 300 – cold water</i>
L/pulse: Reed switch sensor K10 – K100 – K1000	L/pulse: Reed switch sensor K100 – K1000 – K10000
L/pulse: Optoelectronic sensor + converter K1 (see footnote 1)	L/pulse: Optoelectronic sensor + converter K10 (see footnote 1)
L/pulse: Optoelectronic sensor + divider (from K100 to K1000, just for DN 50 from K10 to K1000)	L/pulse: Optoelectronic sensor + divider (from K1000 to K10000)
Instantaneous flow rate reading Optoelectronic sensor + converter with display	Instantaneous flow rate reading Optoelectronic sensor + converter with display
<i>WELC model from DN. 50 to DN. 125 – hot water</i>	<i>WELC model from DN. 150 to DN. 300 – hot water</i>
L/pulse: Reed switch sensor K100 – K250	L/pulse: Reed switch sensor K1000 – K2500
L/pulse: Optoelectronic sensor + converter K1 (see footnote 1)	L/pulse: Optoelectronic sensor + converter K10 (see footnote 1)
L/pulse: Optoelectronic sensor + divider (from K100 to K1000)	L/pulse: Optoelectronic sensor + divider (from K1000 to K10000)
Instantaneous flow rate reading Optoelectronic sensor + converter with display	Instantaneous flow rate reading Optoelectronic sensor + converter with display

Footnote 1: analogic power supply output 4/20 mA – 0/20 mA
analogic tension output 0/10 V

Continuous development of our products may necessitate changes in details without prior notice.



G2 misuratori s.r.l.
14100 ASTI (AT) – ITALY
Via San Martino, 38

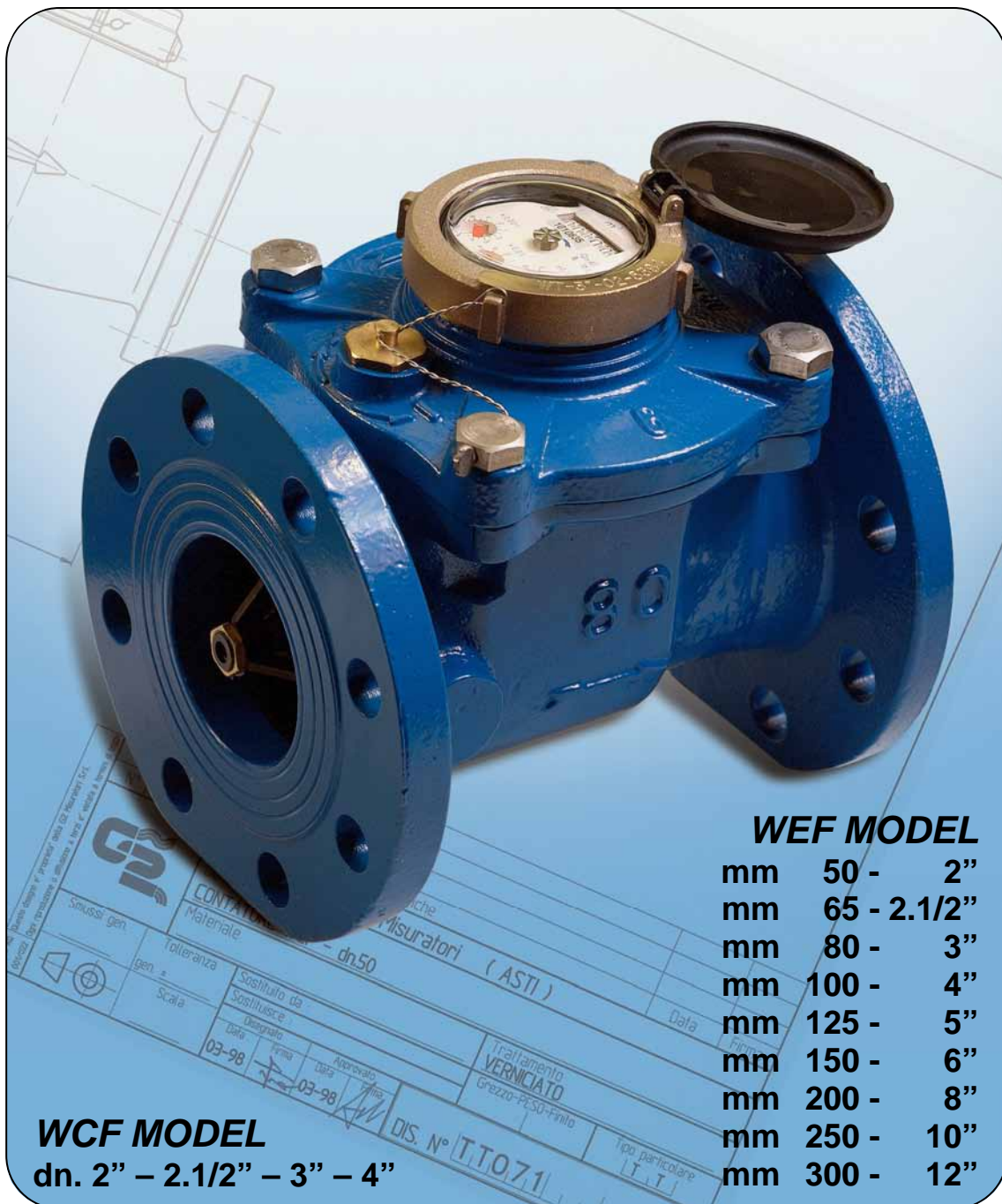
Telephone +39.0141.727749
Telefax +39.0141.702280
E-mail: info@g2misuratori.it
Http://www.g2misuratori.it

G2 misuratori

water meters



WOLTMANN



WEF MODEL

mm	50	-	2"
mm	65	-	2.1/2"
mm	80	-	3"
mm	100	-	4"
mm	125	-	5"
mm	150	-	6"
mm	200	-	8"
mm	250	-	10"
mm	300	-	12"

WCF MODEL

dn. 2" - 2.1/2" - 3" - 4"

- In-line turbine woltmann water meter, direct reading
- Various nominal pressure available upon request (PN 10 - PN 16 - PN 25 - PN 40)
- WEF REMOVABLE model dn. from 2" to 12" for cold water up to 50°C
- WEC REMOVABLE model for hot water up to 130°C available on request
- Measuring insert replaceable without removing the water meter from the pipeline
- Dry dial (only the impeller in contact with water) can be used for hard, turbid and muddy waters
- WCF CLOSED TYPE model dn. from 2" to 4" available on request
- Hydraulic performances of all models according to the requirements of EEC directive n. 75/33; on request can be sealed with EEC official mark
- All models **only pre-arranged** or equipped with an impulse-emitting device are available on request

WOLTMANN

removable model for cold water up to 50°C

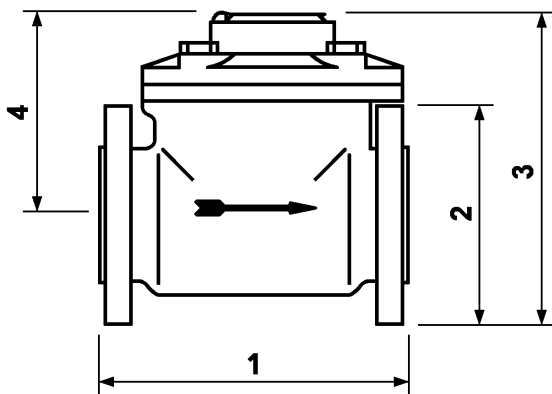
- WEF – 50 mm. – 2"
- WEF – 65 mm. – 2.1/2"
- WEF – 80 mm. – 3"
- WEF – 100 mm. – 4"
- WEF – 125 mm. – 5"
- WEF – 150 mm. – 6"
- WEF – 200 mm. – 8"
- WEF – 250 mm. – 10"
- WEF – 300 mm. – 12"

closed type -non removable- for cold water up to 50°C

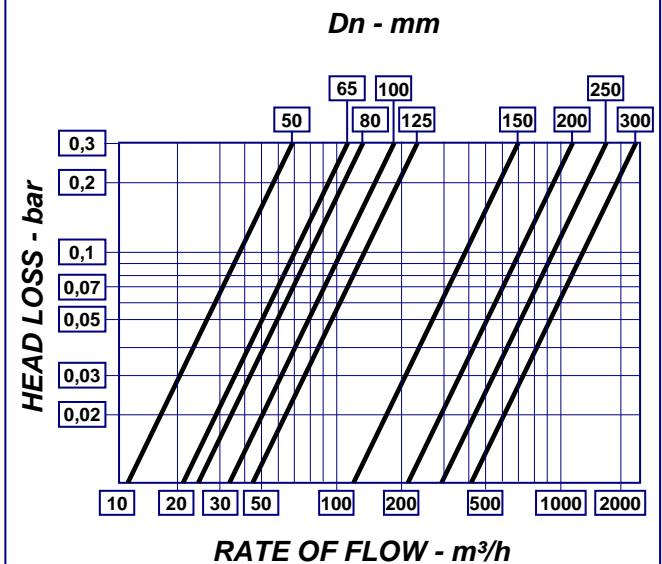
- WCF – 50 mm. – 2"
- WCF – 65 mm. – 2.1/2"
- WCF – 80 mm. – 3"
- WCF – 100 mm. – 4"

Hydraulic performances and overall dimensions mm-inches

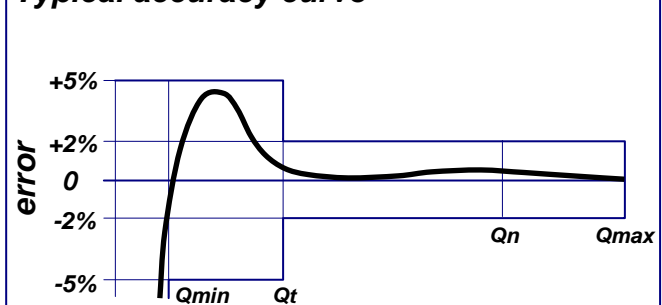
	50-2	65-2.1/2	80-3	100-4	125-5	150-6	200-8	250-10	300-12
Qmax: maximum flow rate for short period (m³/h)	30	50	80	120	200	300	500	800	1200
Qn: nominal flow rate (m³/h)	15	25	40	60	100	150	250	400	600
Qt: transitional flow rate with error ±2% (m³/h)	2	4	4	6	6	12	12	15	15
Qmin: minimum flow rate with error ±5% (m³/h)	0,55	0,6	0,7	1,2	2,5	3	5	10	12
Starting flow (m³/h)	0,2	0,25	0,25	0,3	0,6	1,7	1,8	3	9
1) Overall length (mm)	200	200	225	250	250	300	350	450	500
2) Diameter (mm)	165	186	200	220	250	283	340	406	460
3) Height with closed lid (mm)	214	234	234	250	275	310	338	438	465
4) Height centre line to top closed lid (mm)	144	144	144	144	144	180	180	235	235
Weight (kg)	12	14,5	15,5	19	26	35	47	75	95



Head loss curve



Typical accuracy curve



Continuous development of our products may necessitate changes in details without prior notice.



G2 misuratori s.r.l.
14100 ASTI (AT) – ITALY
Via San Martino, 38

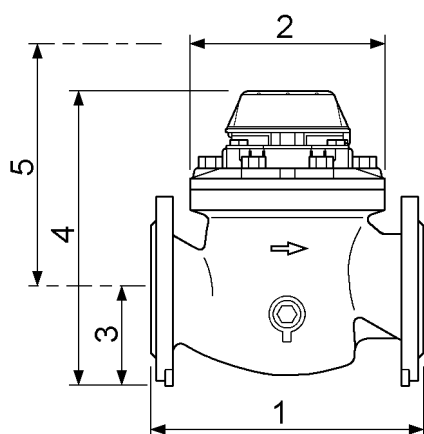
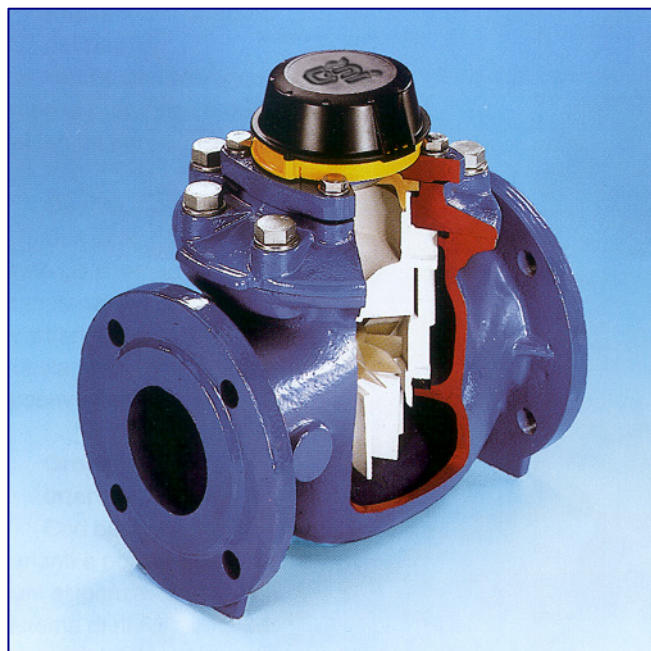
Telephone +39.0141.727749 - Telefax +39.0141.702280
E-mail: info@g2misuratori.it – Http://www.g2misuratori.it

G2 misuratori water meters



WEF-V Woltmann water meter

- For cold water up to 50°C
 - Available from DN 50 to DN 150 mm
 - PN 10/16/25
 - EEC homologated IN CLASS B
- Vacuum sealed register (Super Dry)
 - Magnetic drive transmission
 - Vertical impeller compared to the pipeline axe
 - Removable measuring insert without removing the housing
 - Only for horizontal installation
 - Suitable for two pulse-units installation



Hydraulic performances

	size in mm-inches				
	50-2	65-2.1/2	80-3	100-4	150-6
<i>Qn: nominal flow rate (m³/h)</i>	15	25	40	60	150
<i>Qmax: maximum flow rate for short period (m³/h)</i>	35	110	110	180	350
<i>Nominal continuous flow rate (m³/h)</i>	20	55	55	90	200
<i>Qt: transitional flow rate with error ±2% (m³/h)</i>	1,5	2,5	2,5	3,5	5
<i>Qmin: minimum flow rate with error ±5% (m³/h)</i>	0,18	0,27	0,27	0,35	0,8
<i>Flow capacity at 0,1 bar pressure loss (m³/h)</i>	>19	>38	>44	>67	>140
<i>Dial register from/to (m³)</i>	0,001 999.999	0,001 999.999	0,001 999.999	0,001 999.999	0,001 999.999
<i>1) Meter length (mm)</i>	270 300	300	300 350	350	500
<i>2) Maximum diameter (mm)</i>	160	240	240	240	310
<i>3) Height of tube (mm)</i>	85	102	102	116	150
<i>4) Overall height (mm)</i>	260	304	304	325	505
<i>5) Height needed to replace the measuring unit (mm)</i>	330	365	365	390	625
<i>N. holes</i>	4	4	8 / 4*	8	8
<i>Weight (kg)</i>	14,5	24,5	25,5	30	80

* PN 10 flanges (4 holes)

Continuous development of our products may necessitate changes in details without prior notice.



G2 misuratori s.r.l.
14100 ASTI (AT) – ITALY
Via San Martino, 38

Telephone +39.0141.727749
Telefax +39.0141.702280
E-mail: info@g2misuratori.it
[Http://www.g2misuratori.it](http://www.g2misuratori.it)

G2 misuratori water meters



WEF - COM

COMBINED WOLTMANN WATER METER

For cold water up to 50°C

Available from DN 50 to DN 150 mm.

PN 10/16

EEC homologated CLASS B (main water meter)

EEC homologated CLASS C (secondary water meter)

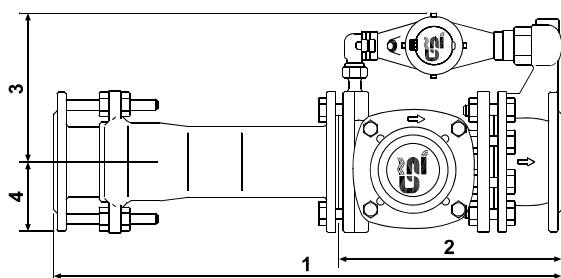
- Main water meter WOLTMANN horizontal helical vane, removable type
- Cast iron body epoxy painted, flanges UNI PN 10/16
- Any measuring unit in contact with water
- Magnetic drive transmission
- Vacuum sealed register (Super Dry) pre-arranged for reed contact
- By-pass meter multi jet, classes B and C
- Switch-over spring valve to divert the flow to the appropriate water meter depending on the flow rate (increasing or reducing)



Hydraulic performances and overall dimensions

mm-inches

	50-2	80-3	100-4	150-6
Qn: nominal flow rate (m ³ /h) main water meter	15	40	60	150
Qn: nominal flow rate (m ³ /h) by-pass meter	2,5	2,5	2,5	10
Continuous flow allowed (m ³ /h)	50	120	180	250
Qmax: maximum flow rate for short period (m ³ /h)	90	200	250	350
Qt: transitional flow rate with error ±2% (m ³ /h)	1	2	2	12
Qmin: minimum flow rate with error ±5% (m ³ /h) by-pass meter	0,02	0,02	0,02	0,06
Flow capacity at 0,1 bar pressure loss (m ³ /h)	14	38	63	140
Capacity of commutation in climb (m ³ /h)	1,8	1,8	2,8	7
Capacity of commutation in reduction (m ³ /h)	1,2	1,2	1,9	4,8
Dial register from/to (m ³)	0,001 999.999	0,001 999.999	0,001 999.999	0,01 9.999.999
1) Length with compensation element (mm)	600 ±20	700 ±40	800 ±25	1000 ±15
2) Length without compensation element (mm)	270	300	350	500 ±15
3) Width (mm)	190	220	220	290
4) Width (mm)	85	100	110	145
Overall height (mm)	207	234	246	355
Holes diameter (mm)	19	19	19	23
N. holes	4	4 / 8	8	8
Weight with compensation element (kg)	25,5	36	45	89
Weight without compensation element (kg)	17,5	24	30	68



On request also available version WEF-COM line (set consists of one compact group, auxiliary water meter and switch-over valve installed in line, without any by-pass pipe outside the water meter).

Continuous development of our products may necessitate changes in details without prior notice.



G2 misuratori s.r.l.

14100 ASTI (AT) – ITALY
Via San Martino, 38

Telephone +39.0141.727749

Telefax +39.0141.702280

E-mail: info@g2misuratori.it

[Http://www.g2misuratori.it](http://www.g2misuratori.it)

G2 misuratori water meters

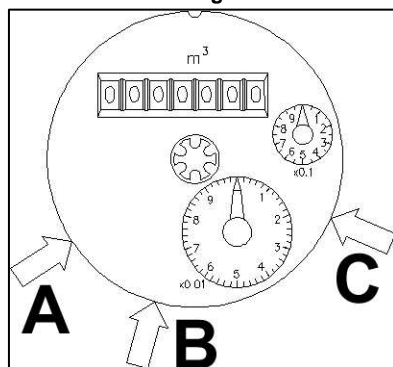


WEI Woltmann meter for not filtered water, at free passage, for irrigation

- ❑ Model WEI DN 50...200, version with cast iron body with flanges
- ❑ Designed for use with irrigation water, not filtered water, even with small suspended particles, directly from reservoir, canals, rivers and artesian wells
- ❑ Transmission of movement through a magnetic joint
- ❑ 360° rotating dumpproof dial - direct reading on numbered drums
- ❑ The water flow through the meter at free passage, reduces head losses at their lowest; the small straight wings turbin, of tangential type, is only partially submerged in water
- ❑ Removable measuring insert; metallic lid with lock
- ❑ Nominal pressure PN 10/16
- ❑ Working temperature 30°C (maximum temperature 50°C)
- ❑ Horizontal, inclined and vertical installation
- ❑ Pre-arranged counter for different pulse generators-reed or opto electronic contact remote reading equipments
- ❑ Model according to the requirements of EEC directive n. 75/33 is available; on request can be sealed with EEC official mark

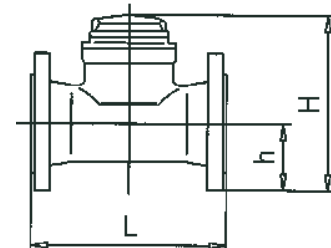
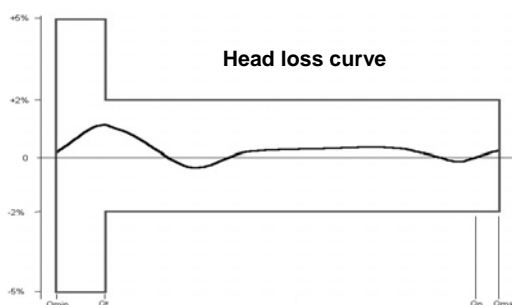


Pre-arrangement



Hydraulic Performances

	50	65	80	100	125	150	200
<i>Q</i> _{max} : Maximum flow rate allowed for short period (m ³ /h)	70	120	120	300	300	500	800
<i>Q</i> _n : Nominal flow rate (m ³ /h)	35	60	60	150	150	250	400
<i>Q</i> _t : Transitional flow rate with error ±2% (l/h)	6	12	12	30	30	50	80
<i>Q</i> _{min} : Minimum flow rate with error ±5% (l/h)	2,4	4,8	4,8	12	12	20	32
Dial register from/to (m ³)	2 / 10 ⁶	2 / 10 ⁶	2 / 10 ⁶	2 / 10 ⁶	20 / 10 ⁷	20 / 10 ⁷	20 / 10 ⁷
<i>L</i>) Length (mm)	200	200	225	250	250	300	350
<i>H</i>) Maximum height to extract measuring insert (mm)	240	250	260	270	285	315	345
<i>h</i>) Tube- flat base interaxis (mm)	75	85	95	105	120	135	180
Pre-arrangement reed (B - C)	0,1 - 1	0,1 - 1	0,1 - 1	0,1 - 1	0,1 - 1	1 - 10	1 - 10
Pre-arrangement opto (A)	0,001	0,001	0,001	0,001	0,001	0,01	0,01
Weight (kg)	11	12	14	18	22	27	40



Continuous development of our products may necessitate changes in details without prior notice

G2 misuratori S.r.l.
Via San Martino, 38 – 14100 ASTI (AT) – ITALY
Telephone +39.0141.727749 – Telefax +39.0141.702280
E-mail: info@g2misuratori.it – [Http://www.g2misuratori.it](http://www.g2misuratori.it)

Branch office for Italy Centre Sud Area
Via Fontanelle, 3 – 00020 RIOFREDDO (RM) – ITALY
Telephone e telefax +39.0774.920216
E-mail: centrosud@g2misuratori.it